

ACBMV B. CASADIO VIBRATION
 Z.I. Mi-Plaine
 51 Rue Ampère
 B.P. 31
 69682 CHASSIEU CEDEX (FRANCE)
 Tel.: 04 78 90 87 87 / Fax.: 04 78 90 87 88
 Email: vibrateur@orange.fr
 Internet: acbmv.com

4 POLES - 1800 RPM
 REF.: 601134C
 SIZE: 60

Certifications:



MECHANICAL AND ELECTRICAL SPECIFICATIONS

Eccentric weight setup (%)	Centrifugal force (kg)	Centrifugal force (kN)	Estimated bearings life time (hours)
100	2500	24,5	42218
90	2250	22,05	59982
80	2000	19,60	88824
70	1750	17,15	>100000
60	1500	14,70	>100000
50	1250	12,25	>100000
40	1000	9,80	>100000
30	750	7,35	>100000
20	500	4,90	>100000
10	250	2,45	>100000

Power supply (volts)	460
Phases:	three phases
Frequency (Hz)	60 Hz
Rotation speed (RPM)	1800
Max input power (watt)	2700
Max current (amp)	4,1
IS/IR	5,81

DIMENSIONAL SPECIFICATIONS (mm)

Vibrator weight: 67 kg

Continual service ambient temperature: -20°C à +40°C - Tropicalization anti-mold - Mechanical protection: IP66 IK08 according to IEC

Bearing type: ROLLER

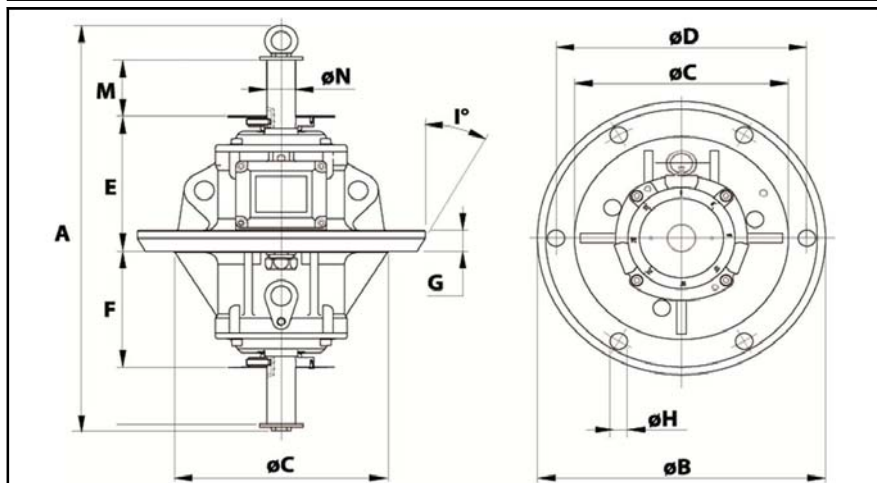
Lubrication LONG-LIFE with KLUEBER STABURAGS NBU 8EP.

Re lubrication quantity after 1000 hours of using: 40g

Max quantity by replaced bearing: 26g

Fixing with 6 screws M20 - 13/16" quality 8.8 with tightening torque (kgm - ft/lb): 38 - 275

Power supply cable size: 12.5 à 15 mm - Cable entry thread: M25x1,5



A	587
B	350
C	260
D	305
E	189
F	162
G	27
N° HOLES	6
H	21
I	30
L	71
M	71
N	40