

ACBMV B. CASADIO VIBRATION
 Z.I. Mi-Plaine
 51 Rue Ampère
 B.P. 31
 69682 CHASSIEU CEDEX (FRANCE)
 Tel.: 04 78 90 87 87 / Fax.: 04 78 90 87 88
 Email: vibrateur@orange.fr
 Internet: acbmv.com

4 POLES - 1500 RPM
 REF.: 601136A
 SIZE: 90

Certifications:



MECHANICAL AND ELECTRICAL SPECIFICATIONS

| Eccentric weight setup (%) | Centrifugal force (kg) | Centrifugal force (kN) | Estimated bearings life time (hours) |
|----------------------------|------------------------|------------------------|--------------------------------------|
| 100 | 7000 | 68,7 | 15186 |
| 90 | 6300 | 61,83 | 21576 |
| 80 | 5600 | 54,96 | 31950 |
| 70 | 4900 | 48,09 | 49864 |
| 60 | 4200 | 41,22 | 83356 |
| 50 | 3500 | 34,35 | >100000 |
| 40 | 2800 | 27,48 | >100000 |
| 30 | 2100 | 20,61 | >100000 |
| 20 | 1400 | 13,74 | >100000 |
| 10 | 700 | 6,87 | >100000 |

| | |
|------------------------|--------------|
| Power supply (volts) | 400 |
| Phases: | three phases |
| Frequency (Hz) | 50 Hz |
| Rotation speed (RPM) | 1500 |
| Max input power (watt) | 7000 |
| Max current (amp) | 11,8 |
| IS/IR | 6,19 |

DIMENSIONAL SPECIFICATIONS (mm)

Vibrator weight: 160 kg

Continual service ambient temperature: -20°C à +40°C - Tropicalization anti-mold - Mechanical protection: IP66 IK08 according to IEC

Bearing type: ROLLER

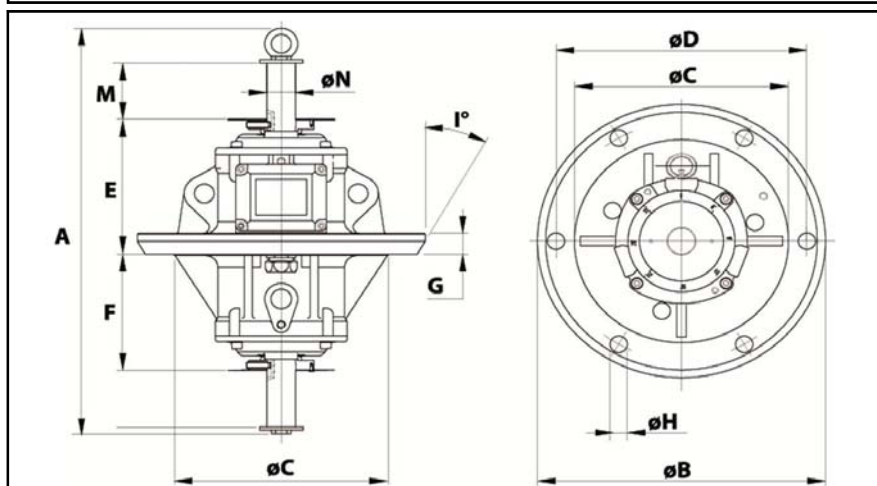
Lubrication LONG-LIFE with KLUEBER STABURAGS NBU 8EP.

Re lubrication quantity after 1000 hours of using: 150g

Max quantity by replaced bearing: 80g

Fixing with 8 screws M24 - 15/16" quality 8.8 with tightening torque (kgm - ft/lb): 71 - 513

Power supply cable size: 16 à 19 mm - Cable entry thread: M32x1,5



| | |
|----------|-------|
| A | 740 |
| B | 508 |
| C | 348 |
| D | 438 |
| E | 255,5 |
| F | 224,5 |
| G | 32,5 |
| N° HOLES | 8 |
| H | 25 |
| I | 30 |
| L | 79 |
| M | 79 |
| N | 52 |