

ACBMV B. CASADIO VIBRATION
 Z.I. Mi-Plaine
 51 Rue Ampère
 B.P. 31
 69682 CHASSIEU CEDEX (FRANCE)
 Tel.: 04 78 90 87 87 / Fax.: 04 78 90 87 88
 Email: vibrateur@orange.fr
 Internet: acbmv.com

4 POLES - 1500 RPM ATEX II 2D tD A21 IP 66 ZONE 21-22
 REF.: 601166A Dust T°=135°C
 SIZE: 95

Certifications:



MECHANICAL AND ELECTRICAL SPECIFICATIONS

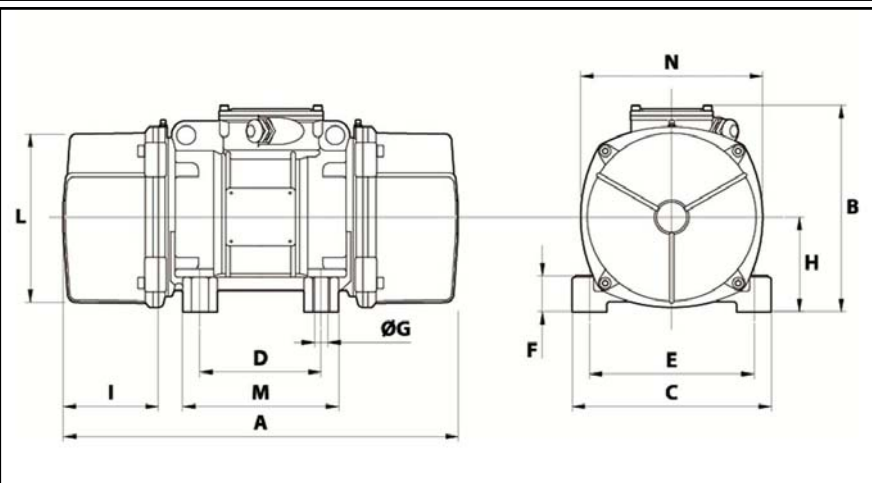
| Eccentric weight setup (%) | Static moment (kgmm) | Working moment (kgcm) | Centrifugal force (kg) | Centrifugal force (kN) | Estimated bearings life time (hours) |
|----------------------------|----------------------|-----------------------|------------------------|------------------------|--------------------------------------|
| 100 | 3260,00 | 652,00 | 8199 | 80,40 | 15091 |
| 90 | 2934,00 | 586,80 | 7379 | 72,36 | 21442 |
| 80 | 2608,00 | 521,60 | 6559 | 64,32 | 31754 |
| 70 | 2282,00 | 456,40 | 5739 | 56,28 | 49560 |
| 60 | 1956,00 | 391,20 | 4919 | 48,24 | 82857 |
| 50 | 1630,00 | 326,00 | 4100 | 40,20 | >100000 |
| 40 | 1304,00 | 260,80 | 3280 | 32,16 | >100000 |
| 30 | 978,00 | 195,60 | 2460 | 24,12 | >100000 |
| 20 | 652,00 | 130,40 | 1640 | 16,08 | >100000 |
| 10 | 326,00 | 65,20 | 820 | 8,04 | >100000 |

| | |
|------------------------|--------------|
| Power supply (volts) | 400 |
| Phases: | three phases |
| Frequency (Hz) | 50 Hz |
| Rotation speed (RPM) | 1500 |
| Max input power (watt) | 7000 |
| Max current (amp) | 11,60 |
| IS/IR | 5,43 |

DIMENSIONAL SPECIFICATIONS (mm)

Vibrator weight: 225,0 kg

Continual service ambient temperature: -20°C à +40°C - Tropicalization anti-mold - Mechanical protection: IP66 IK08 according to IEC
 Bearing type: ROLLER
 Lubrication LONG-LIFE with KLUEBER STABURAGS NBU 8EP.
 Re lubrication quantity after 1000 hours of using: 80g
 Max quantity by replaced bearing: 150g
 Fixing with 4 screws M27 - 1" quality 8.8 with tightening torque (kgm - ft/lb): 89 - 645
 Power supply cable size: 13 à 20 mm - Cable entry thread: M32x1,5
 Maintenance space: 134,5 mm



| | |
|----------|-----|
| A | 629 |
| B | 395 |
| C | 392 |
| D | 200 |
| E | 320 |
| F | 100 |
| G | 28 |
| N° HOLES | 4 |
| H | 192 |
| I | 135 |
| L | 355 |
| M | 270 |
| N | 375 |