

ACBMV B. CASADIO VIBRATION
 Z.I. Mi-Plaine
 51 Rue Ampère
 B.P. 31
 69682 CHASSIEU CEDEX (FRANCE)
 Tel.: 04 78 90 87 87 / Fax.: 04 78 90 87 88
 Email: vibrateur@orange.fr
 Internet: acbmv.com

4 POLES - 1500 RPM ATEX II 2D tD A21 IP 66 ZONE 21-22
 REF.: 601211A Dust T°=135°C
 SIZE: 80

Certifications:



MECHANICAL AND ELECTRICAL SPECIFICATIONS

Eccentric weight setup (%)	Static moment (kgmm)	Working moment (kgcm)	Centrifugal force (kg)	Centrifugal force (kN)	Estimated bearings life time (hours)
100	1990,00	398,00	5007	49,10	16429
90	1791,00	358,20	4506	44,19	23347
80	1592,00	318,40	4006	39,28	34554
70	1393,00	278,60	3505	34,37	53940
60	1194,00	238,80	3004	29,46	90199
50	995,00	199,00	2504	24,55	>100000
40	796,00	159,20	2003	19,64	>100000
30	597,00	119,40	1502	14,73	>100000
20	398,00	79,60	1001	9,82	>100000
10	199,00	39,80	501	4,91	>100000

Power supply (volts)	400
Phases:	three phases
Frequency (Hz)	50 Hz
Rotation speed (RPM)	1500
Max input power (watt)	3600
Max current (amp)	6,00
IS/IR	7,02

DIMENSIONAL SPECIFICATIONS (mm)

Vibrator weight: 161,0 kg

Continual service ambient temperature: -20°C à +40°C - Tropicalization anti-mold - Mechanical protection: IP66 IK08 according to IEC

Bearing type: ROLLER

Lubrication LONG-LIFE with KLUEBER STABURAGS NBU 8EP.

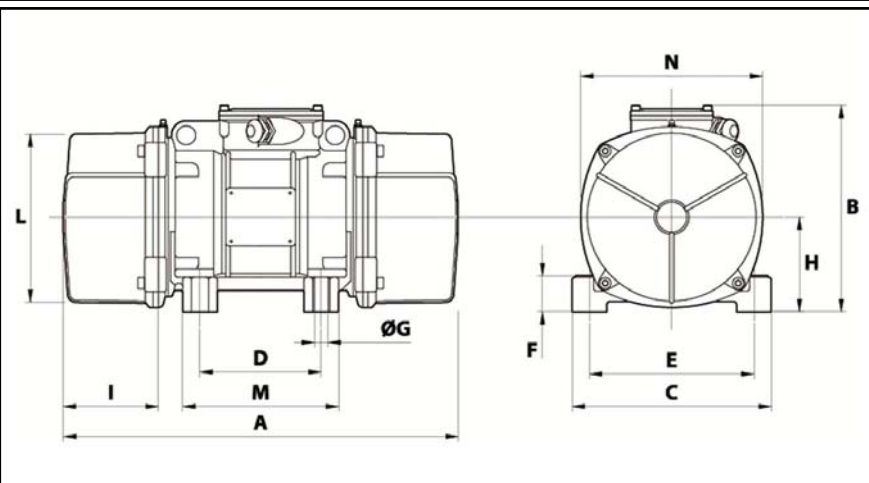
Re lubrication quantity after 1000 hours of using: 40g

Max quantity by replaced bearing: 80g

Fixing with 4 screws M24 - 15/16" quality 8.8 with tightening torque (kgm - ft/lb): 71 - 513

Power supply cable size: 13 à 20 mm - Cable entry thread: M32x1,5

Maintenance space: 150 mm



A	630
B	347
C	340
D	180
E	280
F	80
G	26
N° HOLES	4
H	165
I	150
L	303
M	240
N	320