

ACBMV B. CASADIO VIBRATION
 Z.I. Mi-Plaine
 51 Rue Ampère
 B.P. 31
 69682 CHASSIEU CEDEX (FRANCE)
 Tel.: 04 78 90 87 87 / Fax.: 04 78 90 87 88
 Email: vibrateur@orange.fr
 Internet: acbm.com

4 POLES - 1800 RPM ATEX II 2D tD A21 IP 66 ZONE 21-22
 REF.: 601223C Dust T°=150°C

Certifications:



MECHANICAL AND ELECTRICAL SPECIFICATIONS

Eccentric weight setup (%)	Centrifugal force (kg)	Centrifugal force (kN)	Estimated bearings life time (hours)
100	2500	24,5	62119
90	2250	22,05	88257
80	2000	19,60	>100000
70	1750	17,15	>100000
60	1500	14,70	>100000
50	1250	12,25	>100000
40	1000	9,80	>100000
30	750	7,35	>100000
20	500	4,90	>100000
10	250	2,45	>100000

Power supply (volts)	460
Phases:	three phases
Frequency (Hz)	60 Hz
Rotation speed (RPM)	1800
Max input power (watt)	2600
Max current (amp)	4,1
IS/IR	3,58

DIMENSIONAL SPECIFICATIONS (mm)

Vibrator weight: 68 kg

Continual service ambient temperature: -20°C à +40°C - Tropicalization anti-mold - Mechanical protection: IP66 IK08 according to IEC

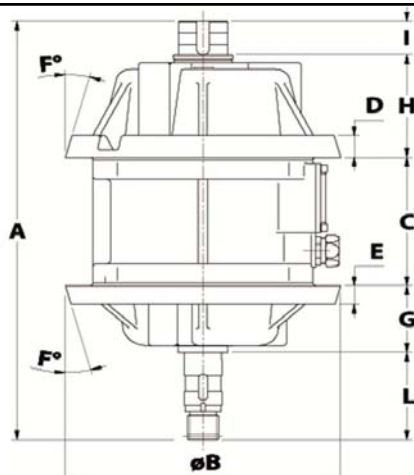
Bearing type: ROLLER

Lubrication LONG-LIFE with KLUEBER STABURAGS NBU 8EP.

Re lubrication quantity after 1000 hours of using: 30g

Max quantity by replaced bearing: 60g

Power supply cable size: 9 à 16 mm - Cable entry thread: M32x1,5



A	517,5
B	281
C	152,5
D	30
E	26
F	14
G	85,3
H	136,6
I	35
L	108