

ACBMV B. CASADIO VIBRATION
 Z.I. Mi-Plaine
 51 Rue Ampère
 B.P. 31
 69682 CHASSIEU CEDEX (FRANCE)
 Tel.: 04 78 90 87 87 / Fax.: 04 78 90 87 88
 Email: vibrateur@orange.fr
 Internet: acbmv.com

4 POLES - 1500 RPM ATEX II 2D tD A21 IP 66 ZONE 21-22
 REF.: 601271A Dust T°=135°C
 SIZE: 100

Certifications:



MECHANICAL AND ELECTRICAL SPECIFICATIONS

Eccentric weight setup (%)	Static moment (kgmm)	Working moment (kgcm)	Centrifugal force (kg)	Centrifugal force (kN)	Estimated bearings life time (hours)
100	5614,00	1122,80	14120	138,00	8957
90	5052,60	1010,52	12708	124,20	12726
80	4491,20	898,24	11296	110,40	18845
70	3929,80	785,96	9884	96,60	29411
60	3368,40	673,68	8472	82,80	49165
50	2807,00	561,40	7060	69,00	90281
40	2245,60	449,12	5648	55,20	>100000
30	1684,20	336,84	4236	41,40	>100000
20	1122,80	224,56	2824	27,60	>100000
10	561,40	112,28	1412	13,80	>100000

Power supply (volts)	400
Phases:	three phases
Frequency (Hz)	50 Hz
Rotation speed (RPM)	1500
Max input power (watt)	11000
Max current (amp)	20,00
IS/IR	8,00

DIMENSIONAL SPECIFICATIONS (mm)

Vibrator weight: 458,0 kg

Continual service ambient temperature: -20°C à +40°C - Tropicalization anti-mold - Mechanical protection: IP66 IK08 according to IEC

Bearing type: ROLLER

Lubrication LONG-LIFE with KLUEBER STABURAGS NBU 8EP.

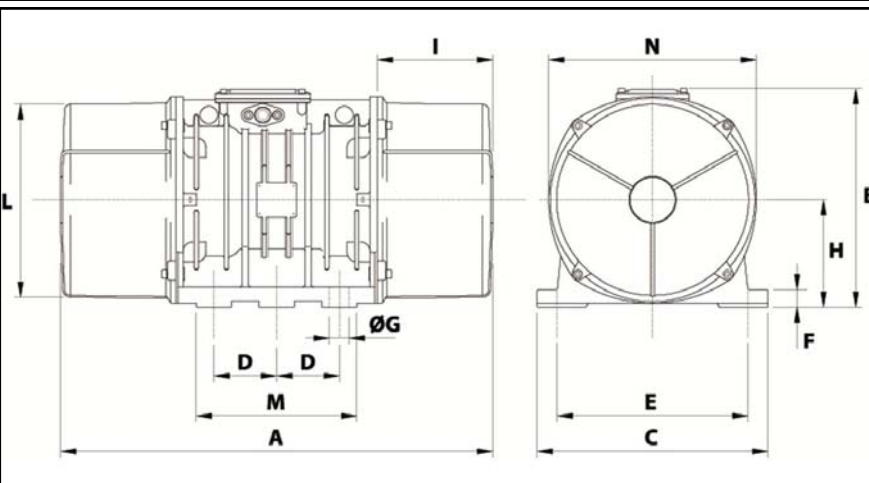
Re lubrication quantity after 1000 hours of using: 150g

Max quantity by replaced bearing: 300g

Fixing with 6 screws M42 - 1 5/8" quality 8.8 with tightening torque (kgm - ft/lb): 290 - 2090

Power supply cable size: 13 à 20 mm - Cable entry thread: M32x1,5

Maintenance space: 240 mm



A	990
B	454
C	530
D	140
E	440
F	38
G	45
N° HOLES	6
H	230
I	240
L	423
M	370
N	448