

ACBMV B. CASADIO VIBRATION
 Z.I. Mi-Plaine
 51 Rue Ampère
 B.P. 31
 69682 CHASSIEU CEDEX (FRANCE)
 Tel.: 04 78 90 87 87 / Fax.: 04 78 90 87 88
 Email: vibrateur@orange.fr
 Internet: acbm.com

4 POLES - 1500 RPM
 REF.: 601328A
 SIZE: 50

Certifications:



MECHANICAL AND ELECTRICAL SPECIFICATIONS

Eccentric weight setup (%)	Static moment (kgmm)	Working moment (kgcm)	Centrifugal force (kg)	Centrifugal force (kN)	Estimated bearings life time (hours)
100	715	143,00	1798	17,60	22231
90	643,50	128,70	1618	15,84	31598
80	572,00	114,40	1438	14,08	46816
70	500,50	100,10	1259	12,32	72919
60	429,00	85,80	1079	10,56	>100000
50	357,50	71,50	899	8,80	>100000
40	286,00	57,20	719	7,04	>100000
30	214,50	42,90	539	5,28	>100000
20	143,00	28,60	360	3,52	>100000
10	71,50	14,30	180	1,76	>100000

Power supply (volts)	400
Phases:	three phases
Frequency (Hz)	50 Hz
Rotation speed (RPM)	1500
Max input power (watt)	Input: 1050 Rating: 882
Max current (amp)	1,81
IS/IR	5,09

DIMENSIONAL SPECIFICATIONS (mm)

Vibrator weight: 70 kg

Continual service ambient temperature: -20°C à +40°C - Tropicalization anti-mold - Mechanical protection: IP66 IK08 according to IEC

Bearing type: ROLLER

Lubrication LONG-LIFE with KLUEBER STABURAGS NBU 8EP.

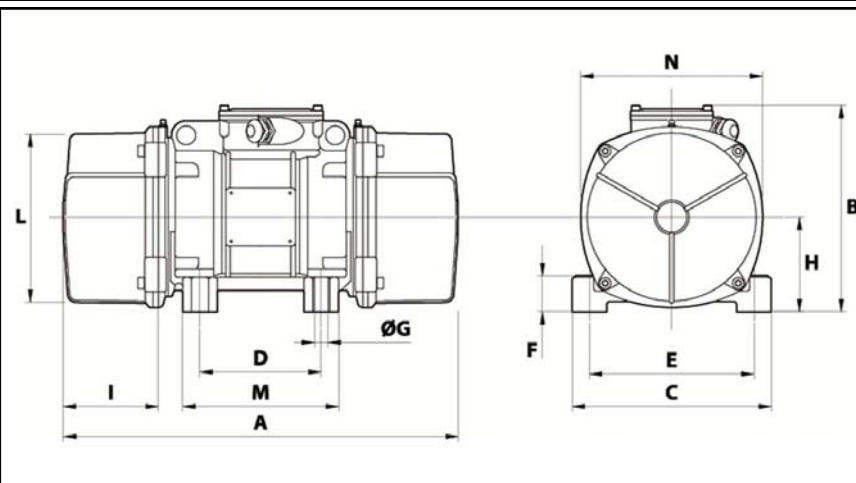
Re lubrication quantity after 1000 hours of using: 16g

Max quantity by replaced bearing: 30g

Fixing with 4 screws M20 - 13/16" quality 8.8 with tightening torque (kgm - ft/lb): 38 - 275

- Thread (pipe thread not supplied): NPT3/4"

Maintenance space: 134 mm



A	520
B	278,5
C	235
D	140
E	190
F	65
G	22
N° HOLES	4
H	116
I	134
L	210
M	185
N	225