

ACBMV B. CASADIO VIBRATION
 Z.I. Mi-Plaine
 51 Rue Ampère
 B.P. 31
 69682 CHASSIEU CEDEX (FRANCE)
 Tel.: 04 78 90 87 87 / Fax.: 04 78 90 87 88
 Email: vibrateur@orange.fr
 Internet: acbm.com

4 POLES - 1800 RPM
 REF.: 601328C
 SIZE: 50

Certifications:



MECHANICAL AND ELECTRICAL SPECIFICATIONS

Eccentric weight setup (%)	Static moment (kgmm)	Working moment (kgcm)	Centrifugal force (kg)	Centrifugal force (kN)	Estimated bearings life time (hours)
100	485	97,00	1757	17,20	20009
90	436,50	87,30	1581	15,48	28446
80	388,00	77,60	1406	13,76	42058
70	339,50	67,90	1230	12,04	65682
60	291,00	58,20	1054	10,32	>100000
50	242,50	48,50	879	8,60	>100000
40	194,00	38,80	703	6,88	>100000
30	145,50	29,10	527	5,16	>100000
20	97,00	19,40	351	3,44	>100000
10	48,50	9,70	176	1,72	>100000

Power supply (volts)	460
Phases:	three phases
Frequency (Hz)	60 Hz
Rotation speed (RPM)	1800
Max input power (watt)	Input: 1300 Rating: 1105
Max current (amp)	1,9
IS/IR	5,46

DIMENSIONAL SPECIFICATIONS (mm)

Vibrator weight: 67,5 kg

Continual service ambient temperature: -20°C à +40°C - Tropicalization anti-mold - Mechanical protection: IP66 IK08 according to IEC

Bearing type: ROLLER

Lubrication LONG-LIFE with KLUEBER STABURAGS NBU 8EP.

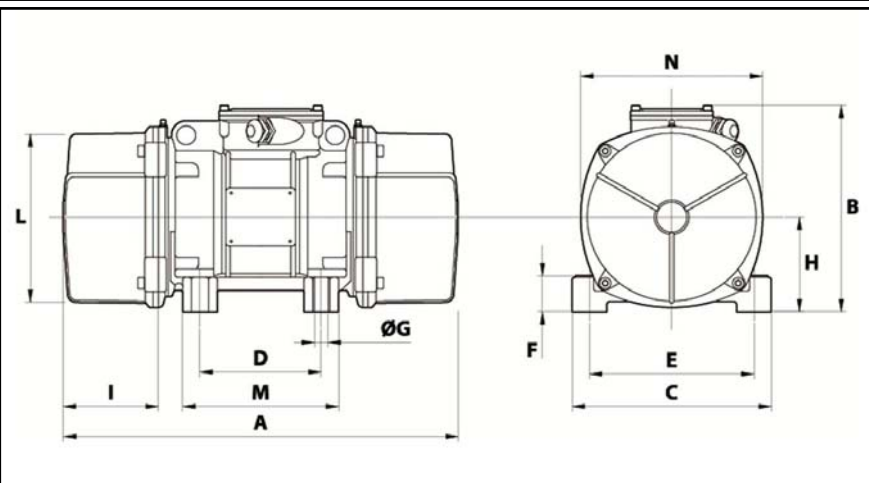
Re lubrication quantity after 1000 hours of using: 16g

Max quantity by replaced bearing: 30g

Fixing with 4 screws M20 - 13/16" quality 8.8 with tightening torque (kgm - ft/lb): 38 - 275

- Thread (pipe thread not supplied): NPT3/4"

Maintenance space: 134 mm



A	520
B	278,5
C	235
D	140
E	190
F	65
G	22
N° HOLES	4
H	116
I	134
L	210
M	185
N	225