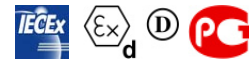


ACBMV B. CASADIO VIBRATION  
 Z.I. Mi-Plaine  
 51 Rue Ampère  
 B.P. 31  
 69682 CHASSIEU CEDEX (FRANCE)  
 Tel.: 04 78 90 87 87 / Fax.: 04 78 90 87 88  
 Email: [vibrateur@orange.fr](mailto:vibrateur@orange.fr)  
 Internet: [acbm.com](http://acbm.com)

4 POLES - 1800 RPM  
 REF.: 601329C  
 SIZE: 60

Certifications:



### MECHANICAL AND ELECTRICAL SPECIFICATIONS

Eccentric weight setup (%)	Static moment (kgmm)	Working moment (kgcm)	Centrifugal force (kg)	Centrifugal force (kN)	Estimated bearings life time (hours)
100	674	134,80	2444	24,00	23258
90	606,60	121,32	2200	21,60	33024
80	539,20	107,84	1955	19,20	48950
70	471,80	94,36	1711	16,80	76338
60	404,40	80,88	1466	14,40	>100000
50	337,00	67,40	1222	12,00	>100000
40	269,60	53,92	978	9,60	>100000
30	202,20	40,44	733	7,20	>100000
20	134,80	26,96	489	4,80	>100000
10	67,40	13,48	244	2,40	>100000

Power supply (volts)	460
Phases:	three phases
Frequency (Hz)	60 Hz
Rotation speed (RPM)	1800
Max input power (watt)	Input: 1650 Rating: 1485
Max current (amp)	2,9
IS/IR	7,76

### DIMENSIONAL SPECIFICATIONS (mm)

**Vibrator weight: 92 kg**

Continual service ambient temperature: -20°C à +40°C - Tropicalization anti-mold - Mechanical protection: IP66 IK08 according to IEC

Bearing type: ROLLER

Lubrication LONG-LIFE with KLUEBER STABURAGS NBU 8EP.

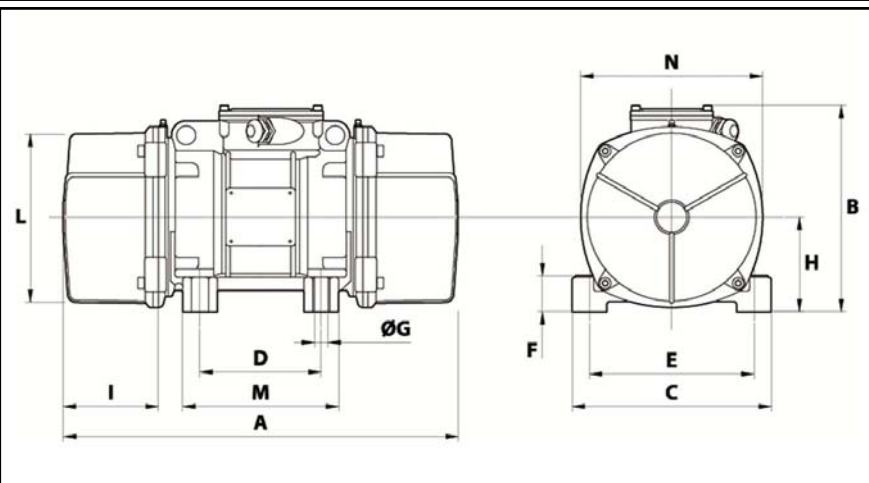
Re lubrication quantity after 1000 hours of using: 19g

Max quantity by replaced bearing: 35g

Fixing with 4 screws M20 - 13/16" quality 8.8 with tightening torque (kgm - ft/lb): 38 - 275

- Thread (pipe thread not supplied): NPT3/4"

Maintenance space: 146 mm



A	572
B	312
C	270
D	155
E	225
F	52
G	22
N° HOLES	4
H	135
I	146
L	238,5
M	200
N	253