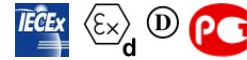


ACBMV B. CASADIO VIBRATION
 Z.I. Mi-Plaine
 51 Rue Ampère
 B.P. 31
 69682 CHASSIEU CEDEX (FRANCE)
 Tel.: 04 78 90 87 87 / Fax.: 04 78 90 87 88
 Email: vibrateur@orange.fr
 Internet: acbmv.com

4 POLES - 1500 RPM
 REF.: 601330A
 SIZE: 70

Certifications:



MECHANICAL AND ELECTRICAL SPECIFICATIONS

Eccentric weight setup (%)	Static moment (kgmm)	Working moment (kgcm)	Centrifugal force (kg)	Centrifugal force (kN)	Estimated bearings life time (hours)
100	1526	305,20	3840	37,70	17841
90	1373,40	274,68	3456	33,93	25348
80	1220,80	244,16	3072	30,16	37536
70	1068,20	213,64	2688	26,39	58581
60	915,60	183,12	2304	22,62	97930
50	763,00	152,60	1920	18,85	>100000
40	610,40	122,08	1536	15,08	>100000
30	457,80	91,56	1152	11,31	>100000
20	305,20	61,04	768	7,54	>100000
10	152,60	30,52	384	3,77	>100000

Power supply (volts)	400
Phases:	three phases
Frequency (Hz)	50 Hz
Rotation speed (RPM)	1500
Max input power (watt)	Input: 2270 Rating: 1839
Max current (amp)	3,8
IS/IR	6,84

DIMENSIONAL SPECIFICATIONS (mm)

Vibrator weight: 133 kg

Continual service ambient temperature: -20°C à +40°C - Tropicalization anti-mold - Mechanical protection: IP66 IK08 according to IEC

Bearing type: ROLLER

Lubrication LONG-LIFE with KLUEBER STABURAGS NBU 8EP.

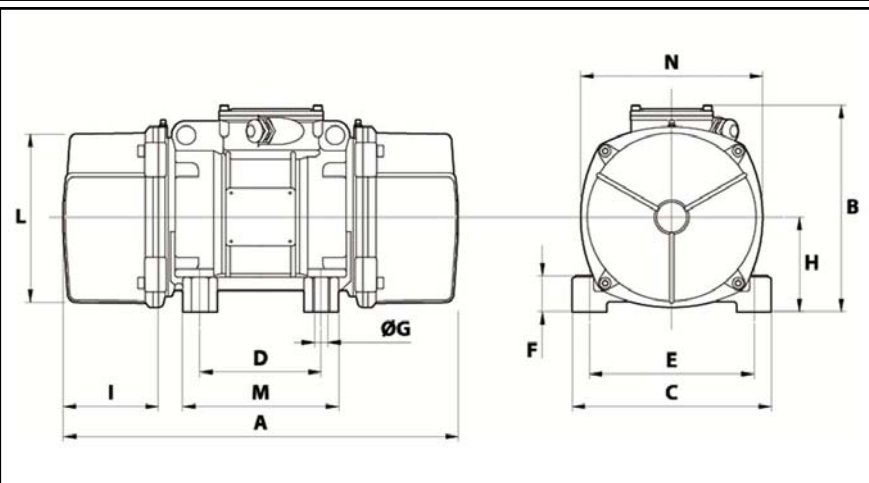
Re lubrication quantity after 1000 hours of using: 30g

Max quantity by replaced bearing: 60g

Fixing with 4 screws M22 - 7/8" quality 8.8 with tightening torque (kgm - ft/lb): 56 - 411

- Thread (pipe thread not supplied): NPT3/4"

Maintenance space: 137 mm



A	594
B	342,5
C	310
D	155
E	255
F	65
G	23,5
N° HOLES	4
H	155
I	137
L	279
M	210
N	295
