

ACBMV B. CASADIO VIBRATION
 Z.I. Mi-Plaine
 51 Rue Ampère
 B.P. 31
 69682 CHASSIEU CEDEX (FRANCE)
 Tel.: 04 78 90 87 87 / Fax.: 04 78 90 87 88
 Email: vibrateur@orange.fr
 Internet: acbmv.com

4 POLES - 1500 RPM
 REF.: 601343A
 SIZE: 01

Certifications:



MECHANICAL AND ELECTRICAL SPECIFICATIONS

Eccentric weight setup (%)	Static moment (kgmm)	Working moment (kgcm)	Centrifugal force (kg)	Centrifugal force (kN)	Estimated bearings life time (hours)
100	31	6,20	77,9	0,76	>100000
90	27,90	5,58	70	0,68	>100000
80	24,80	4,96	62	0,61	>100000
70	21,70	4,34	55	0,53	>100000
60	18,60	3,72	47	0,46	>100000
50	15,50	3,10	39	0,38	>100000
40	12,40	2,48	31	0,30	>100000
30	9,30	1,86	23	0,23	>100000
20	6,20	1,24	16	0,15	>100000
10	3,10	0,62	8	0,08	>100000

Power supply (volts)	400
Phases:	three phases
Frequency (Hz)	50 Hz
Rotation speed (RPM)	1500
Max input power (watt)	85
Max current (amp)	0,21
IS/IR	1,95

DIMENSIONAL SPECIFICATIONS (mm)

Vibrator weight: 9 kg

Continual service ambient temperature: -20°C à +40°C - Tropicalization anti-mold - Mechanical protection: IP66 IK08 according to IEC

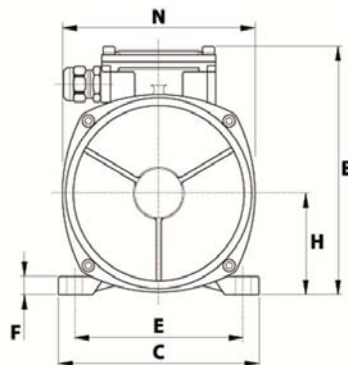
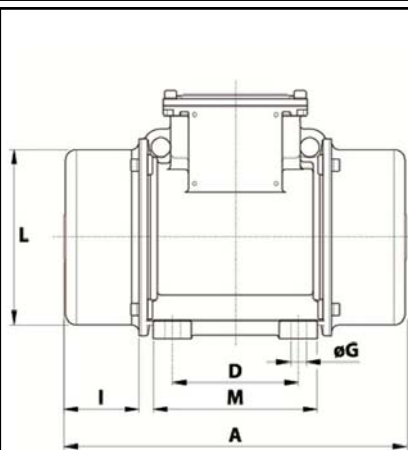
Bearing type: BALL

Lubrication "FOR LIFE" with double protection screen

Fixing with 4 screws M8 - 5/16" quality 8.8 with tightening torque (kgm - ft/lb): 2.30 - 16.50

Power supply cable size: 6.5 à 12 mm - Cable entry thread: M20x1,5

Maintenance space: 53 mm



A	225
B	151
C	125
D	62-74**
E	106
F	10
G	9
N° HOLES	4
H	61
I	53
L	100
M	102
N	117-

**					
Slot					