

ACBMV B. CASADIO VIBRATION
 Z.I. Mi-Plaine
 51 Rue Ampère
 B.P. 31
 69682 CHASSIEU CEDEX (FRANCE)
 Tel.: 04 78 90 87 87 / Fax.: 04 78 90 87 88
 Email: vibrateur@orange.fr
 Internet: acbmv.com

4 POLES - 1500 RPM
 REF.: 601344A
 SIZE: 10

Certifications:



MECHANICAL AND ELECTRICAL SPECIFICATIONS

Eccentric weight setup (%)	Static moment (kgmm)	Working moment (kgcm)	Centrifugal force (kg)	Centrifugal force (kN)	Estimated bearings life time (hours)
100	84,2	16,84	213	2,09	21067
90	75,78	15,16	192	1,88	28763
80	67,36	13,47	170	1,67	41438
70	58,94	11,79	149	1,46	61544
60	50,52	10,10	128	1,25	97076
50	42,10	8,42	107	1,05	>100000
40	33,68	6,74	85	0,84	>100000
30	25,26	5,05	64	0,63	>100000
20	16,84	3,37	43	0,42	>100000
10	8,42	1,68	21	0,21	>100000

Power supply (volts)	400
Phases:	three phases
Frequency (Hz)	50 Hz
Rotation speed (RPM)	1500
Max input power (watt)	170
Max current (amp)	0,41
IS/IR	2,75

DIMENSIONAL SPECIFICATIONS (mm)

Vibrator weight: 15,8 kg

Continual service ambient temperature: -20°C à +40°C - Tropicalization anti-mold - Mechanical protection: IP66 IK08 according to IEC

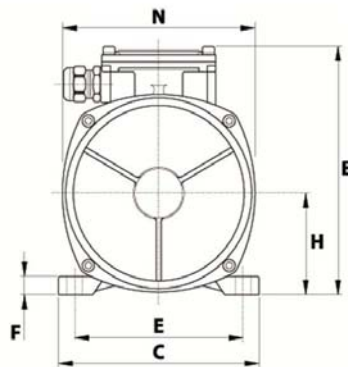
Bearing type: BALL

Lubrication "FOR LIFE" with double protection screen

Fixing with 4 screws M12 - 1/2" quality 8.8 with tightening torque (kgm - ft/lb): 8 - 58

Power supply cable size: 9 à 16 mm - Cable entry thread: M20x1,5

Maintenance space: 74 mm



A	295
B	176
C	152
D	90
E	125
F	12
G	13
N° HOLES	4
H	73
I	74
L	124
M	122
N	141-
