

ACBMV B. CASADIO VIBRATION
 Z.I. Mi-Plaine
 51 Rue Ampère
 B.P. 31
 69682 CHASSIEU CEDEX (FRANCE)
 Tel.: 04 78 90 87 87 / Fax.: 04 78 90 87 88
 Email: vibrateur@orange.fr
 Internet: acbmv.com

4 POLES - 1800 RPM
 REF.: 601344C
 SIZE: 10

Certifications:



MECHANICAL AND ELECTRICAL SPECIFICATIONS

Eccentric weight setup (%)	Static moment (kgmm)	Working moment (kgcm)	Centrifugal force (kg)	Centrifugal force (kN)	Estimated bearings life time (hours)
100	58,8	11,76	214	2,10	17311
90	52,92	10,58	193	1,89	23599
80	47,04	9,41	171	1,68	33929
70	41,16	8,23	150	1,47	50268
60	35,28	7,06	128	1,26	80897
50	29,40	5,88	107	1,05	>100000
40	23,52	4,70	86	0,84	>100000
30	17,64	3,53	64	0,63	>100000
20	11,76	2,35	43	0,42	>100000
10	5,88	1,18	21	0,21	>100000

Power supply (volts)	260
Phases:	single phase
Frequency (Hz)	60 Hz
Rotation speed (RPM)	1800
Max input power (watt)	230
Max current (amp)	2
IS/IR	1,85

DIMENSIONAL SPECIFICATIONS (mm)

Vibrator weight: 15 kg

Continual service ambient temperature: -20°C à +40°C - Tropicalization anti-mold - Mechanical protection: IP66 IK08 according to IEC

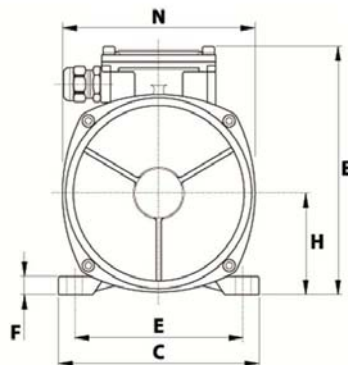
Bearing type: BALL

Lubrication "FOR LIFE" with double protection screen

Fixing with 4 screws M12 - 1/2" quality 8.8 with tightening torque (kgm - ft/lb): 8 - 58

Power supply cable size: 6.5 à 12 mm - Cable entry thread: M20x1,5

Maintenance space: 74 mm



A	295
B	176
C	152
D	90
E	125
F	12
G	13
N° HOLES	4
H	73
I	74
L	124
M	122
N	141

--	--	--	--	--	--