

ACBMV B. CASADIO VIBRATION
 Z.I. Mi-Plaine
 51 Rue Ampère
 B.P. 31
 69682 CHASSIEU CEDEX (FRANCE)
 Tel.: 04 78 90 87 87 / Fax.: 04 78 90 87 88
 Email: vibrateur@orange.fr
 Internet: acbmv.com

4 POLES - 1800 RPM
 REF.: 601345C
 SIZE: 20

Certifications:



MECHANICAL AND ELECTRICAL SPECIFICATIONS

Eccentric weight setup (%)	Static moment (kgmm)	Working moment (kgcm)	Centrifugal force (kg)	Centrifugal force (kN)	Estimated bearings life time (hours)
100	113	22,60	411	4,03	13366
90	101,70	20,34	370	3,63	18320
80	90,40	18,08	329	3,22	26058
70	79,10	15,82	288	2,82	38846
60	67,80	13,56	247	2,42	61579
50	56,50	11,30	206	2,02	>100000
40	45,20	9,04	164	1,61	>100000
30	33,90	6,78	123	1,21	>100000
20	22,60	4,52	82	0,81	>100000
10	11,30	2,26	41	0,40	>100000

Power supply (volts)	260
Phases:	single phase
Frequency (Hz)	60 Hz
Rotation speed (RPM)	1800
Max input power (watt)	320
Max current (amp)	2,8
IS/IR	2,21

DIMENSIONAL SPECIFICATIONS (mm)

Vibrator weight: 21,7 kg

Continual service ambient temperature: -20°C à +40°C - Tropicalization anti-mold - Mechanical protection: IP66 IK08 according to IEC

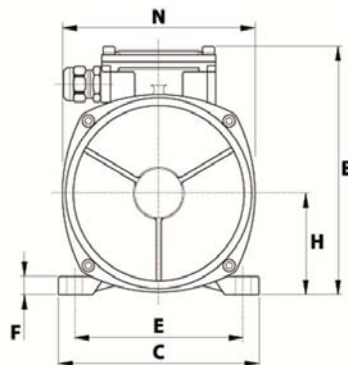
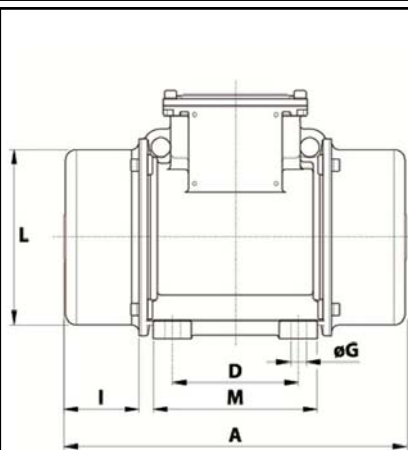
Bearing type: BALL

Lubrication "FOR LIFE" with double protection screen

Fixing with 4 screws M12 - 1/2" quality 8.8 with tightening torque (kgm - ft/lb): 8 - 58

Power supply cable size: 9 à 16 mm - Cable entry thread: M25x1,5

Maintenance space: 91 mm



A	340
B	200
C	167
D	105
E	140
F	15
G	13
N° HOLES	4
H	82,5
I	91
L	143
M	137
N	160
