

ACBMV B. CASADIO VIBRATION
 Z.I. Mi-Plaine
 51 Rue Ampère
 B.P. 31
 69682 CHASSIEU CEDEX (FRANCE)
 Tel.: 04 78 90 87 87 / Fax.: 04 78 90 87 88
 Email: vibrateur@orange.fr
 Internet: acbmv.com

4 POLES - 1800 RPM
 REF.: 601350C
 SIZE: 50

Certifications:



MECHANICAL AND ELECTRICAL SPECIFICATIONS

Eccentric weight setup (%)	Static moment (kgmm)	Working moment (kgcm)	Centrifugal force (kg)	Centrifugal force (kN)	Estimated bearings life time (hours)
100	485	97,00	1757	17,20	35540
90	436,50	87,30	1581	15,48	50526
80	388,00	77,60	1406	13,76	74703
70	339,50	67,90	1230	12,04	>100000
60	291,00	58,20	1054	10,32	>100000
50	242,50	48,50	879	8,60	>100000
40	194,00	38,80	703	6,88	>100000
30	145,50	29,10	527	5,16	>100000
20	97,00	19,40	351	3,44	>100000
10	48,50	9,70	176	1,72	>100000

Power supply (volts)	460
Phases:	three phases
Frequency (Hz)	60 Hz
Rotation speed (RPM)	1800
Max input power (watt)	1200
Max current (amp)	1,9
IS/IR	4,89

DIMENSIONAL SPECIFICATIONS (mm)

Vibrator weight: 54,5 kg

Continual service ambient temperature: -20°C à +40°C - Tropicalization anti-mold - Mechanical protection: IP66 IK08 according to IEC

Bearing type: ROLLER

Lubrication LONG-LIFE with KLUEBER STABURAGS NBU 8EP.

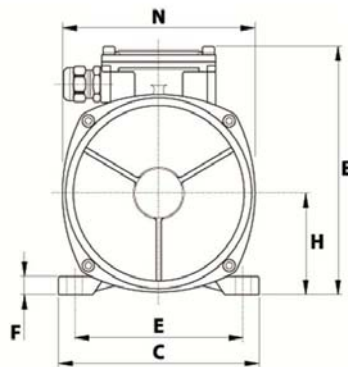
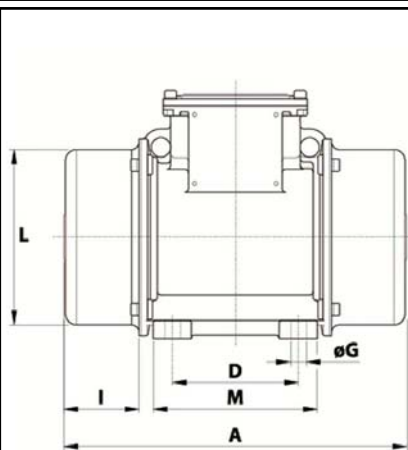
Re lubrication quantity after 1000 hours of using: 16g

Max quantity by replaced bearing: 30g

Fixing with 4 screws M16 - 5/8" quality 8.8 with tightening torque (kgm - ft/lb): 19 - 137

Power supply cable size: 9 à 16 mm - Cable entry thread: M25x1,5

Maintenance space: 129 mm



A	490
B	245
C	230
D	140
E	190
F	25
G	17
N° HOLES	4
H	116
I	129
L	201
M	180
N	225-

--	--	--	--	--	--