

ACBMV B. CASADIO VIBRATION  
 Z.I. Mi-Plaine  
 51 Rue Ampère  
 B.P. 31  
 69682 CHASSIEU CEDEX (FRANCE)  
 Tel.: 04 78 90 87 87 / Fax.: 04 78 90 87 88  
 Email: [vibrateur@orange.fr](mailto:vibrateur@orange.fr)  
 Internet: [acbmv.com](http://acbmv.com)

4 POLES - 1800 RPM  
 REF.: 601351C  
 SIZE: 50

Certifications:



### MECHANICAL AND ELECTRICAL SPECIFICATIONS

Eccentric weight setup (%)	Static moment (kgmm)	Working moment (kgcm)	Centrifugal force (kg)	Centrifugal force (kN)	Estimated bearings life time (hours)
100	561	112,20	2033	19,90	19666
90	504,90	100,98	1830	17,91	27926
80	448,80	89,76	1626	15,92	41410
70	392,70	78,54	1423	13,93	64589
60	336,60	67,32	1220	11,94	>100000
50	280,50	56,10	1017	9,95	>100000
40	224,40	44,88	813	7,96	>100000
30	168,30	33,66	610	5,97	>100000
20	112,20	22,44	407	3,98	>100000
10	56,10	11,22	203	1,99	>100000

Power supply (volts)	460
Phases:	three phases
Frequency (Hz)	60 Hz
Rotation speed (RPM)	1800
Max input power (watt)	1450
Max current (amp)	2,3
IS/IR	4,9

### DIMENSIONAL SPECIFICATIONS (mm)

**Vibrator weight: 68 kg**

Continual service ambient temperature: -20°C à +40°C - Tropicalization anti-mold - Mechanical protection: IP66 IK08 according to IEC

Bearing type: ROLLER

Lubrication LONG-LIFE with KLUEBER STABURAGS NBU 8EP.

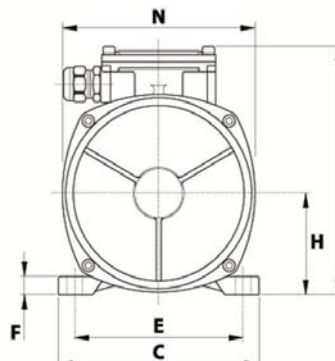
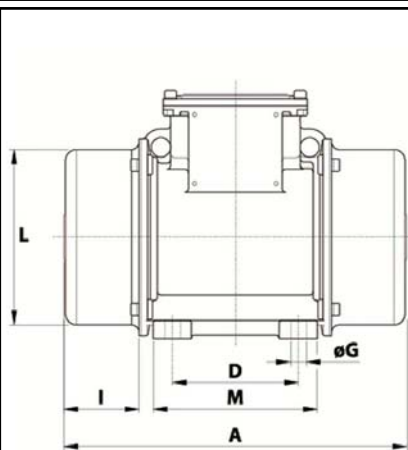
Re lubrication quantity after 1000 hours of using: 16g

Max quantity by replaced bearing: 30g

Fixing with 4 screws M16 - 5/8" quality 8.8 with tightening torque (kgm - ft/lb): 19 - 137

Power supply cable size: 9 à 16 mm - Cable entry thread: M25x1,5

Maintenance space: 164 mm



A	560
B	245
C	230
D	140
E	190
F	25
G	17
N° HOLES	4
H	116
I	164
L	201
M	180
N	225-

--	--	--	--	--	--