

ACBMV B. CASADIO VIBRATION
 Z.I. Mi-Plaine
 51 Rue Ampère
 B.P. 31
 69682 CHASSIEU CEDEX (FRANCE)
 Tel.: 04 78 90 87 87 / Fax.: 04 78 90 87 88
 Email: vibrateur@orange.fr
 Internet: acbmv.com

4 POLES - 1800 RPM
 REF.: 601352C
 SIZE: 60

Certifications:



MECHANICAL AND ELECTRICAL SPECIFICATIONS

Eccentric weight setup (%)	Static moment (kgmm)	Working moment (kgcm)	Centrifugal force (kg)	Centrifugal force (kN)	Estimated bearings life time (hours)
100	674	134,80	2444	24,00	21824
90	606,60	121,32	2200	21,60	30988
80	539,20	107,84	1955	19,20	45932
70	471,80	94,36	1711	16,80	71632
60	404,40	80,88	1466	14,40	>100000
50	337,00	67,40	1222	12,00	>100000
40	269,60	53,92	978	9,60	>100000
30	202,20	40,44	733	7,20	>100000
20	134,80	26,96	489	4,80	>100000
10	67,40	13,48	244	2,40	>100000

Power supply (volts)	460
Phases:	three phases
Frequency (Hz)	60 Hz
Rotation speed (RPM)	1800
Max input power (watt)	1700
Max current (amp)	3
IS/IR	7,23

DIMENSIONAL SPECIFICATIONS (mm)

Vibrator weight: 76 kg

Continual service ambient temperature: -20°C à +40°C - Tropicalization anti-mold - Mechanical protection: IP66 IK08 according to IEC

Bearing type: ROLLER

Lubrication LONG-LIFE with KLUEBER STABURAGS NBU 8EP.

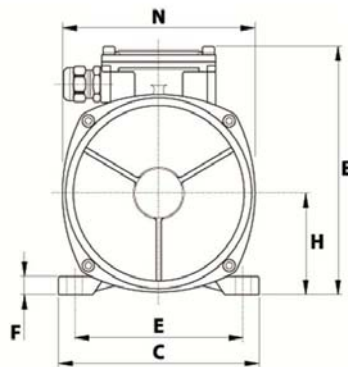
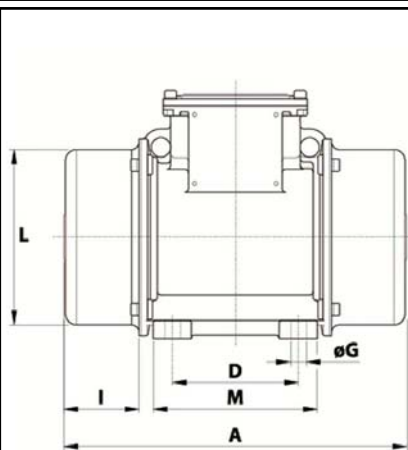
Re lubrication quantity after 1000 hours of using: 19g

Max quantity by replaced bearing: 35g

Fixing with 4 screws M20 - 13/16" quality 8.8 with tightening torque (kgm - ft/lb): 38 - 275

Power supply cable size: 9 à 16 mm - Cable entry thread: M25x1,5

Maintenance space: 131 mm



A	525
B	285
C	275
D	155
E	225
F	30
G	22
N° HOLES	4
H	135
I	131
L	231
M	205
N	253-

--	--	--	--	--	--