

ACBMV B. CASADIO VIBRATION  
 Z.I. Mi-Plaine  
 51 Rue Ampère  
 B.P. 31  
 69682 CHASSIEU CEDEX (FRANCE)  
 Tel.: 04 78 90 87 87 / Fax.: 04 78 90 87 88  
 Email: [vibrateur@orange.fr](mailto:vibrateur@orange.fr)  
 Internet: [acbmv.com](http://acbmv.com)

4 POLES - 1800 RPM  
 REF.: 601353C  
 SIZE: 60

Certifications:



### MECHANICAL AND ELECTRICAL SPECIFICATIONS

Eccentric weight setup (%)	Static moment (kgmm)	Working moment (kgcm)	Centrifugal force (kg)	Centrifugal force (kN)	Estimated bearings life time (hours)
100	858	171,60	3107	30,50	9805
90	772,20	154,44	2796	27,45	13936
80	686,40	137,28	2486	24,40	20618
70	600,60	120,12	2175	21,35	32190
60	514,80	102,96	1864	18,30	53839
50	429,00	85,80	1554	15,25	98722
40	343,20	68,64	1243	12,20	>100000
30	257,40	51,48	932	9,15	>100000
20	171,60	34,32	621	6,10	>100000
10	85,80	17,16	311	3,05	>100000

Power supply (volts)	460
Phases:	three phases
Frequency (Hz)	60 Hz
Rotation speed (RPM)	1800
Max input power (watt)	2000
Max current (amp)	3,5
IS/IR	7,5

### DIMENSIONAL SPECIFICATIONS (mm)

**Vibrator weight: 89 kg**

Continual service ambient temperature: -20°C à +40°C - Tropicalization anti-mold - Mechanical protection: IP66 IK08 according to IEC

Bearing type: ROLLER

Lubrication LONG-LIFE with KLUEBER STABURAGS NBU 8EP.

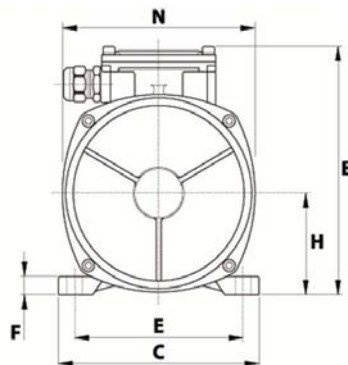
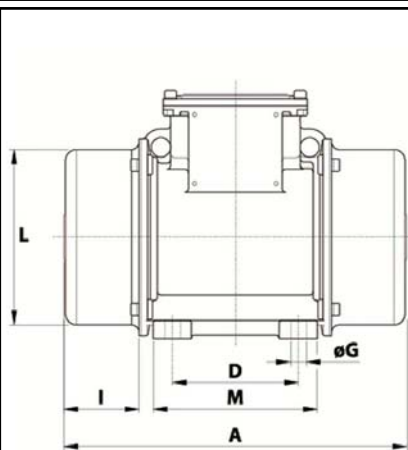
Re lubrication quantity after 1000 hours of using: 19g

Max quantity by replaced bearing: 35g

Fixing with 4 screws M20 - 13/16" quality 8.8 with tightening torque (kgm - ft/lb): 38 - 275

Power supply cable size: 9 à 16 mm - Cable entry thread: M25x1,5

Maintenance space: 169 mm



A	601
B	285
C	275
D	155
E	225
F	30
G	22
N° HOLES	4
H	135
I	169
L	231
M	205
N	253-

--	--	--	--	--	--