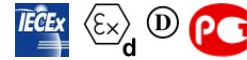


ACBMV B. CASADIO VIBRATION  
 Z.I. Mi-Plaine  
 51 Rue Ampère  
 B.P. 31  
 69682 CHASSIEU CEDEX (FRANCE)  
 Tel.: 04 78 90 87 87 / Fax.: 04 78 90 87 88  
 Email: [vibrateur@orange.fr](mailto:vibrateur@orange.fr)  
 Internet: [acbm.com](http://acbm.com)

4 POLES - 1500 RPM  
 REF.: 601358A  
 SIZE: 50

Certifications:



### MECHANICAL AND ELECTRICAL SPECIFICATIONS

Eccentric weight setup (%)	Static moment (kgmm)	Working moment (kgcm)	Centrifugal force (kg)	Centrifugal force (kN)	Estimated bearings life time (hours)
100	817	163,40	2054	20,10	14250
90	735,30	147,06	1849	18,09	20231
80	653,60	130,72	1643	16,08	29993
70	571,90	114,38	1438	14,07	46768
60	490,20	98,04	1232	12,06	78303
50	408,50	81,70	1027	10,05	>100000
40	326,80	65,36	822	8,04	>100000
30	245,10	49,02	616	6,03	>100000
20	163,40	32,68	411	4,02	>100000
10	81,70	16,34	205	2,01	>100000

Power supply (volts)	400
Phases:	three phases
Frequency (Hz)	50 Hz
Rotation speed (RPM)	1500
Max input power (watt)	Input: 1050 Rating: 882
Max current (amp)	1,81
IS/IR	5,09

### DIMENSIONAL SPECIFICATIONS (mm)

**Vibrator weight: 75 kg**

Continual service ambient temperature: -20°C à +40°C - Tropicalization anti-mold - Mechanical protection: IP66 IK08 according to IEC

Bearing type: ROLLER

Lubrication LONG-LIFE with KLUEBER STABURAGS NBU 8EP.

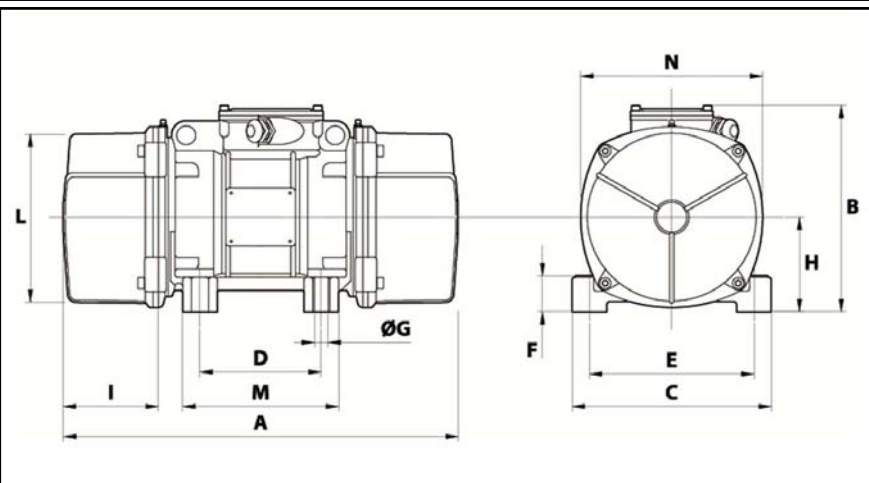
Re lubrication quantity after 1000 hours of using: 16g

Max quantity by replaced bearing: 30g

Fixing with 4 screws M20 - 13/16" quality 8.8 with tightening torque (kgm - ft/lb): 38 - 275

- Thread (pipe thread not supplied): NPT3/4"

Maintenance space: 171 (50Hz) 134 (60Hz) mm



A	594
B	278,5
C	235
D	140
E	190
F	65
G	22
N° HOLES	4
H	116
I	171
L	210
M	185
N	225