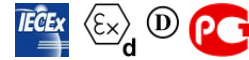


ACBMV B. CASADIO VIBRATION  
 Z.I. Mi-Plaine  
 51 Rue Ampère  
 B.P. 31  
 69682 CHASSIEU CEDEX (FRANCE)  
 Tel.: 04 78 90 87 87 / Fax.: 04 78 90 87 88  
 Email: [vibrateur@orange.fr](mailto:vibrateur@orange.fr)  
 Internet: [acbm.com](http://acbm.com)

4 POLES - 1800 RPM  
 REF.: 601358C  
 SIZE: 50

Certifications:



### MECHANICAL AND ELECTRICAL SPECIFICATIONS

Eccentric weight setup (%)	Static moment (kgmm)	Working moment (kgcm)	Centrifugal force (kg)	Centrifugal force (kN)	Estimated bearings life time (hours)
100	561	112,20	2033	19,90	19970
90	504,90	100,98	1830	17,91	28357
80	448,80	89,76	1626	15,92	42050
70	392,70	78,54	1423	13,93	65587
60	336,60	67,32	1220	11,94	>100000
50	280,50	56,10	1017	9,95	>100000
40	224,40	44,88	813	7,96	>100000
30	168,30	33,66	610	5,97	>100000
20	112,20	22,44	407	3,98	>100000
10	56,10	11,22	203	1,99	>100000

Power supply (volts)	460
Phases:	three phases
Frequency (Hz)	60 Hz
Rotation speed (RPM)	1800
Max input power (watt)	Input: 1300 Rating: 1105
Max current (amp)	1,9
IS/IR	5,46

### DIMENSIONAL SPECIFICATIONS (mm)

**Vibrator weight: 69 kg**

Continual service ambient temperature: -20°C à +40°C - Tropicalization anti-mold - Mechanical protection: IP66 IK08 according to IEC

Bearing type: ROLLER

Lubrication LONG-LIFE with KLUEBER STABURAGS NBU 8EP.

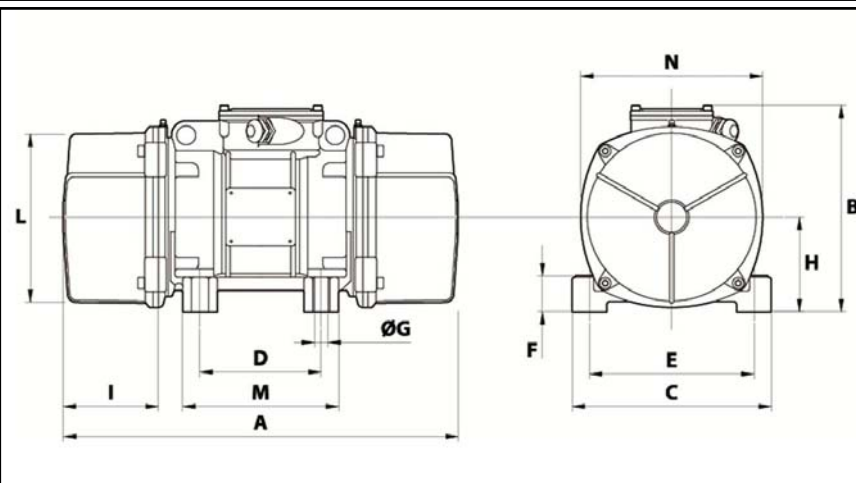
Re lubrication quantity after 1000 hours of using: 16g

Max quantity by replaced bearing: 30g

Fixing with 4 screws M20 - 13/16" quality 8.8 with tightening torque (kgm - ft/lb): 38 - 275

- Thread (pipe thread not supplied): NPT3/4"

Maintenance space: 171 (50Hz) 134 (60Hz) mm



A	520
B	278,5
C	235
D	140
E	190
F	65
G	22
N° HOLES	4
H	116
I	134
L	210
M	185
N	225