

ACBMV B. CASADIO VIBRATION
 Z.I. Mi-Plaine
 51 Rue Ampère
 B.P. 31
 69682 CHASSIEU CEDEX (FRANCE)
 Tel.: 04 78 90 87 87 / Fax.: 04 78 90 87 88
 Email: vibrateur@orange.fr
 Internet: acbmv.com

4 POLES - 1500 RPM
 REF.: 601363A
 SIZE: 70

Certifications:



MECHANICAL AND ELECTRICAL SPECIFICATIONS

Eccentric weight setup (%)	Static moment (kgmm)	Working moment (kgcm)	Centrifugal force (kg)	Centrifugal force (kN)	Estimated bearings life time (hours)
100	1720	344,00	4326	42,40	13471
90	1548,00	309,60	3893	38,16	19146
80	1376,00	275,20	3461	33,92	28337
70	1204,00	240,80	3028	29,68	44242
60	1032,00	206,40	2596	25,44	73905
50	860,00	172,00	2163	21,20	>100000
40	688,00	137,60	1730	16,96	>100000
30	516,00	103,20	1298	12,72	>100000
20	344,00	68,80	865	8,48	>100000
10	172,00	34,40	433	4,24	>100000

Power supply (volts)	400
Phases:	three phases
Frequency (Hz)	50 Hz
Rotation speed (RPM)	1500
Max input power (watt)	2500
Max current (amp)	4,8
IS/IR	7,1

DIMENSIONAL SPECIFICATIONS (mm)

Vibrator weight: 122 kg

Continual service ambient temperature: -20°C à +40°C - Tropicalization anti-mold - Mechanical protection: IP66 IK08 according to IEC

Bearing type: ROLLER

Lubrication LONG-LIFE with KLUEBER STABURAGS NBU 8EP.

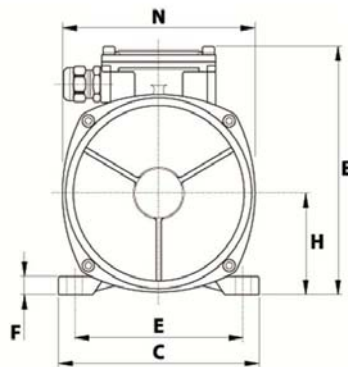
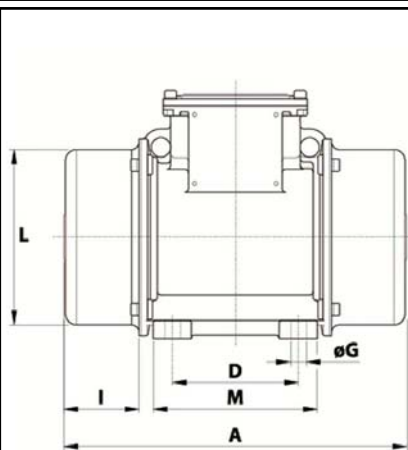
Re lubrication quantity after 1000 hours of using: 26g

Max quantity by replaced bearing: 40g

Fixing with 4 screws M22 - 7/8" quality 8.8 with tightening torque (kgm - ft/lb): 56 - 411

Power supply cable size: 9 à 16 mm - Cable entry thread: M25x1,5

Maintenance space: 178 mm



A	589
B	323
C	310
D	155
E	255
F	35
G	23,5
N° HOLES	4
H	155
I	178
L	269
M	215
N	295-
