

ACBMV B. CASADIO VIBRATION
 Z.I. Mi-Plaine
 51 Rue Ampère
 B.P. 31
 69682 CHASSIEU CEDEX (FRANCE)
 Tel.: 04 78 90 87 87 / Fax.: 04 78 90 87 88
 Email: vibrateur@orange.fr
 Internet: acbmv.com

4 POLES - 1500 RPM
 REF.: 601365A
 SIZE: 01

Certifications:



MECHANICAL AND ELECTRICAL SPECIFICATIONS

Eccentric weight setup (%)	Static moment (kgmm)	Working moment (kgcm)	Centrifugal force (kg)	Centrifugal force (kN)	Estimated bearings life time (hours)
100	38,9	7,78	97,9	0,96	74568
90	35,01	7,00	88	0,86	>100000
80	31,12	6,22	78	0,77	>100000
70	27,23	5,45	69	0,67	>100000
60	23,34	4,67	59	0,58	>100000
50	19,45	3,89	49	0,48	>100000
40	15,56	3,11	39	0,38	>100000
30	11,67	2,33	29	0,29	>100000
20	7,78	1,56	20	0,19	>100000
10	3,89	0,78	10	0,10	>100000

Power supply (volts)	400
Phases:	three phases
Frequency (Hz)	50 Hz
Rotation speed (RPM)	1500
Max input power (watt)	85
Max current (amp)	0,21
IS/IR	1,95

DIMENSIONAL SPECIFICATIONS (mm)

Vibrator weight: 9,4 kg

Continual service ambient temperature: -20°C à +40°C - Tropicalization anti-mold - Mechanical protection: IP66 IK08 according to IEC

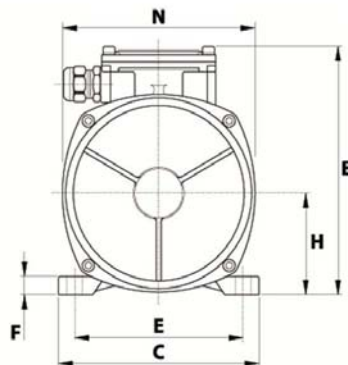
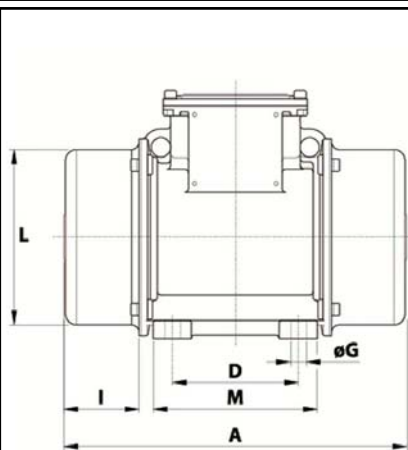
Bearing type: BALL

Lubrication "FOR LIFE" with double protection screen

Fixing with 4 screws M12 - 1/2" quality 8.8 with tightening torque (kgm - ft/lb): 8 - 58

Power supply cable size: 6.5 à 12 mm - Cable entry thread: M20x1,5

Maintenance space: 61 (50Hz) 53 (60Hz) mm



A	241
B	151
C	125
D	62-74**
E	106
F	10
G	9
N° HOLES	4
H	61
I	61
L	100
M	102
N	117-

**					
Slot					