

ACBMV B. CASADIO VIBRATION
 Z.I. Mi-Plaine
 51 Rue Ampère
 B.P. 31
 69682 CHASSIEU CEDEX (FRANCE)
 Tel.: 04 78 90 87 87 / Fax.: 04 78 90 87 88
 Email: vibrateur@orange.fr
 Internet: acbmv.com

4 POLES - 1800 RPM
 REF.: 601365C
 SIZE: 01

Certifications:



MECHANICAL AND ELECTRICAL SPECIFICATIONS

Eccentric weight setup (%)	Static moment (kgmm)	Working moment (kgcm)	Centrifugal force (kg)	Centrifugal force (kN)	Estimated bearings life time (hours)
100	31	6,20	112	1,10	41787
90	27,90	5,58	101	0,99	56981
80	24,80	4,96	90	0,88	80532
70	21,70	4,34	78	0,77	>100000
60	18,60	3,72	67	0,66	>100000
50	15,50	3,10	56	0,55	>100000
40	12,40	2,48	45	0,44	>100000
30	9,30	1,86	34	0,33	>100000
20	6,20	1,24	22	0,22	>100000
10	3,10	0,62	11	0,11	>100000

Power supply (volts)	260
Phases:	single phase
Frequency (Hz)	60 Hz
Rotation speed (RPM)	1800
Max input power (watt)	100
Max current (amp)	1
IS/IR	1,3

DIMENSIONAL SPECIFICATIONS (mm)

Vibrator weight: 9 kg

Continual service ambient temperature: -20°C à +40°C - Tropicalization anti-mold - Mechanical protection: IP66 IK08 according to IEC

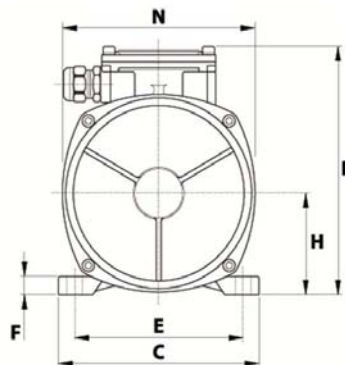
Bearing type: BALL

Lubrication "FOR LIFE" with double protection screen

Fixing with 4 screws M12 - 1/2" quality 8.8 with tightening torque (kgm - ft/lb): 8 - 58

Power supply cable size: 6.5 à 12 mm - Cable entry thread: M20x1,5

Maintenance space: 61 (50Hz) 53 (60Hz) mm



A	225
B	151
C	125
D	62-74**
E	106
F	10
G	9
N° HOLES	4
H	61
I	53
L	100
M	102
N	117

**					
Slot					