

ACBMV B. CASADIO VIBRATION
 Z.I. Mi-Plaine
 51 Rue Ampère
 B.P. 31
 69682 CHASSIEU CEDEX (FRANCE)
 Tel.: 04 78 90 87 87 / Fax.: 04 78 90 87 88
 Email: vibrateur@orange.fr
 Internet: acbmv.com

4 POLES - 1800 RPM ATEX II 2D tD A21 IP 66 ZONE 21-22
 REF.: 601373C Dust T°=120°C
 SIZE: 20

Certifications:



MECHANICAL AND ELECTRICAL SPECIFICATIONS

Eccentric weight setup (%)	Static moment (kgmm)	Working moment (kgcm)	Centrifugal force (kg)	Centrifugal force (kN)	Estimated bearings life time (hours)
100	163,00	32,60	592	5,81	4472
90	146,70	29,34	533	5,23	6128
80	130,40	26,08	474	4,65	8712
70	114,10	22,82	414	4,07	13076
60	97,80	19,56	355	3,49	20739
50	81,50	16,30	296	2,91	35776
40	65,20	13,04	237	2,32	69698
30	48,90	9,78	178	1,74	>100000
20	32,60	6,52	118	1,16	>100000
10	16,30	3,26	59	0,58	>100000

Power supply (volts)	460
Phases:	three phases
Frequency (Hz)	60 Hz
Rotation speed (RPM)	1800
Max input power (watt)	350
Max current (amp)	0,60
IS/IR	3,50

DIMENSIONAL SPECIFICATIONS (mm)

Vibrator weight: 19,0 kg

Continual service ambient temperature: -20°C à +40°C - Tropicalization anti-mold - Mechanical protection: IP66 IK08 according to IEC

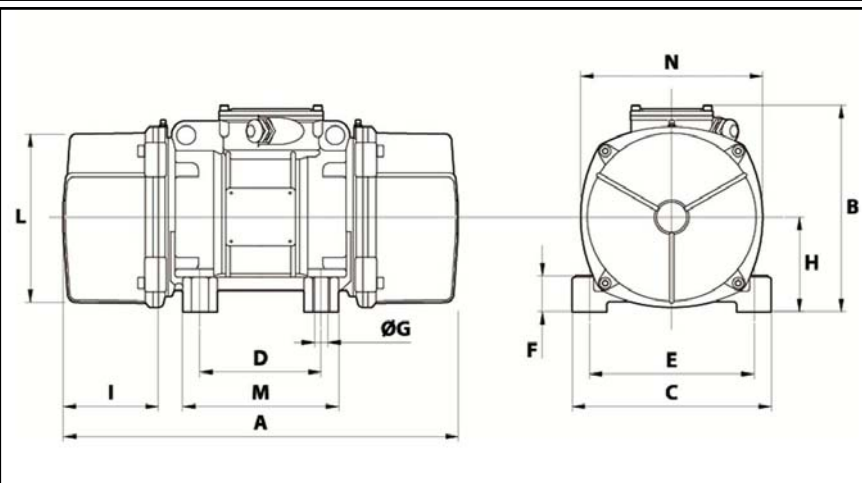
Bearing type: BALL

Lubrication "FOR LIFE" with double protection screen

Fixing with 4 screws M12 - 1/2" quality 8.8 with tightening torque (kgm - ft/lb): 8 - 58

Power supply cable size: 9 à 16 mm - Cable entry thread: M25x1,5

Maintenance space: 114 mm



A	386
B	203
C	167
D	105
E	140
F	30
G	13
N° HOLES	4
H	83
I	114
L	145
M	140
N	160