

ACBMV B. CASADIO VIBRATION  
 Z.I. Mi-Plaine  
 51 Rue Ampère  
 B.P. 31  
 69682 CHASSIEU CEDEX (FRANCE)  
 Tel.: 04 78 90 87 87 / Fax.: 04 78 90 87 88  
 Email: [vibrateur@orange.fr](mailto:vibrateur@orange.fr)  
 Internet: [acbmv.com](http://acbmv.com)

4 POLES - 1500 RPM  
 REF.: 601409A  
 SIZE: 10

Certifications:



### MECHANICAL AND ELECTRICAL SPECIFICATIONS

Eccentric weight setup (%)	Static moment (kgmm)	Working moment (kgcm)	Centrifugal force (kg)	Centrifugal force (kN)	Estimated bearings life time (hours)
100	84,2	16,84	213	2,09	23406
90	75,78	15,16	192	1,88	31957
80	67,36	13,47	170	1,67	46038
70	58,94	11,79	149	1,46	68377
60	50,52	10,10	128	1,25	>100000
50	42,10	8,42	107	1,05	>100000
40	33,68	6,74	85	0,84	>100000
30	25,26	5,05	64	0,63	>100000
20	16,84	3,37	43	0,42	>100000
10	8,42	1,68	21	0,21	>100000

Power supply (volts)	400
Phases:	three phases
Frequency (Hz)	50 Hz
Rotation speed (RPM)	1500
Max input power (watt)	Input: 170 Rating: 95
Max current (amp)	0,41
IS/IR	2,34

### DIMENSIONAL SPECIFICATIONS (mm)

**Vibrator weight: 14 kg**

Continual service ambient temperature: -20°C à +40°C - Tropicalization anti-mold - Mechanical protection: IP66 IK08 according to IEC

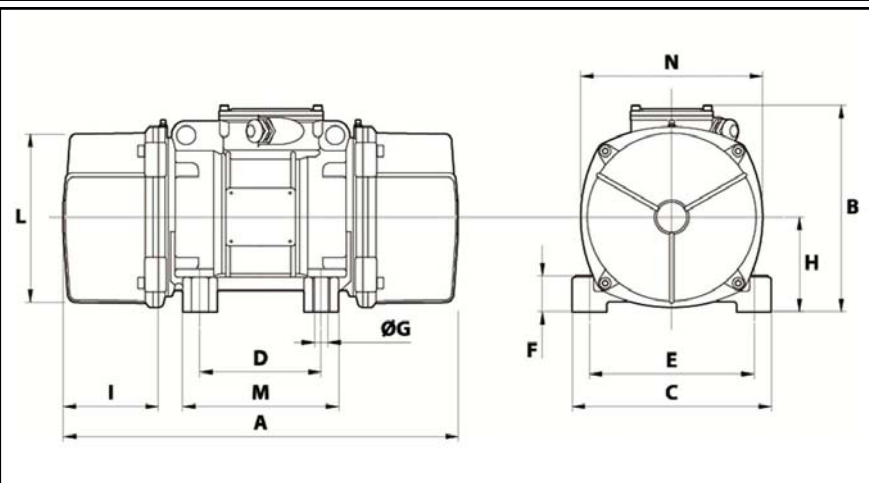
Bearing type: BALL

Lubrication "FOR LIFE" with double protection screen

Fixing with 4 screws M12 - 1/2" quality 8.8 with tightening torque (kgm - ft/lb): 8 - 58

- Thread (pipe thread not supplied): NPT1/2"

Maintenance space: 77 mm



A	301
B	191
C	152
D	90
E	125
F	28
G	13
N° HOLES	4
H	77,5
I	77
L	130
M	128
N	150