

ACBMV B. CASADIO VIBRATION
 Z.I. Mi-Plaine
 51 Rue Ampère
 B.P. 31
 69682 CHASSIEU CEDEX (FRANCE)
 Tel.: 04 78 90 87 87 / Fax.: 04 78 90 87 88
 Email: vibrateur@orange.fr
 Internet: acbmv.com

4 POLES - 1800 RPM
 REF.: 601409C
 SIZE: 10

Certifications:



MECHANICAL AND ELECTRICAL SPECIFICATIONS

Eccentric weight setup (%)	Static moment (kgmm)	Working moment (kgcm)	Centrifugal force (kg)	Centrifugal force (kN)	Estimated bearings life time (hours)
100	58,8	11,76	214	2,10	19200
90	52,92	10,58	193	1,89	26174
80	47,04	9,41	171	1,68	37632
70	41,16	8,23	150	1,47	55753
60	35,28	7,06	128	1,26	89725
50	29,40	5,88	107	1,05	>100000
40	23,52	4,70	86	0,84	>100000
30	17,64	3,53	64	0,63	>100000
20	11,76	2,35	43	0,42	>100000
10	5,88	1,18	21	0,21	>100000

Power supply (volts)	260
Phases:	single phase
Frequency (Hz)	60 Hz
Rotation speed (RPM)	1800
Max input power (watt)	Input: 230 Rating: 120
Max current (amp)	2
IS/IR	1,85

DIMENSIONAL SPECIFICATIONS (mm)

Vibrator weight: 13 kg

Continual service ambient temperature: -20°C à +40°C - Tropicalization anti-mold - Mechanical protection: IP66 IK08 according to IEC

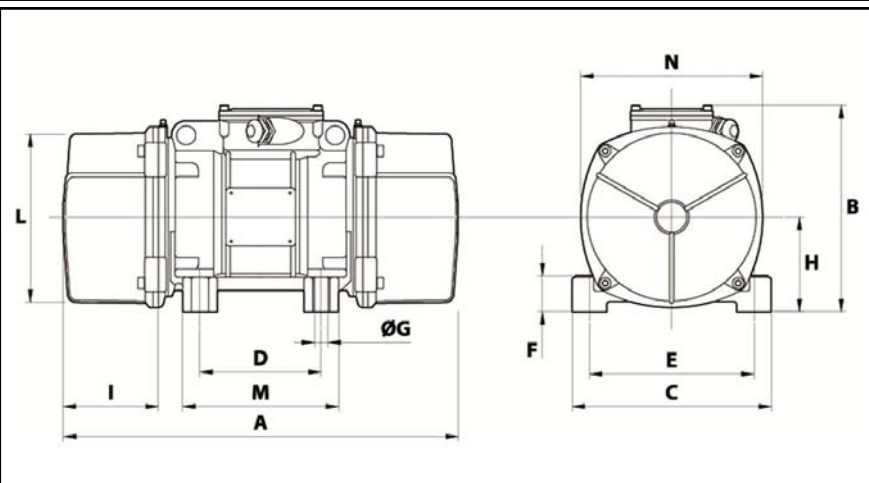
Bearing type: BALL

Lubrication "FOR LIFE" with double protection screen

Fixing with 4 screws M12 - 1/2" quality 8.8 with tightening torque (kgm - ft/lb): 8 - 58

- Thread (pipe thread not supplied): NPT1/2"

Maintenance space: 77 mm



A	301
B	191
C	152
D	90
E	125
F	28
G	13
N° HOLES	4
H	77,5
I	77
L	130
M	128
N	150