

ACBMV B. CASADIO VIBRATION
 Z.I. Mi-Plaine
 51 Rue Ampère
 B.P. 31
 69682 CHASSIEU CEDEX (FRANCE)
 Tel.: 04 78 90 87 87 / Fax.: 04 78 90 87 88
 Email: vibrateur@orange.fr
 Internet: acbmv.com

4 POLES - 1500 RPM
 REF.: 601410A
 SIZE: 20

Certifications:



MECHANICAL AND ELECTRICAL SPECIFICATIONS

Eccentric weight setup (%)	Static moment (kgmm)	Working moment (kgcm)	Centrifugal force (kg)	Centrifugal force (kN)	Estimated bearings life time (hours)
100	163	32,60	412	4,04	15135
90	146,70	29,34	371	3,64	20728
80	130,40	26,08	330	3,23	29453
70	114,10	22,82	288	2,83	44309
60	97,80	19,56	247	2,42	70240
50	81,50	16,30	206	2,02	>100000
40	65,20	13,04	165	1,62	>100000
30	48,90	9,78	124	1,21	>100000
20	32,60	6,52	82	0,81	>100000
10	16,30	3,26	41	0,40	>100000

Power supply (volts)	400
Phases:	three phases
Frequency (Hz)	50 Hz
Rotation speed (RPM)	1500
Max input power (watt)	Input: 300 Rating: 215
Max current (amp)	0,6
IS/IR	3,33

DIMENSIONAL SPECIFICATIONS (mm)

Vibrator weight: 21,4 kg

Continual service ambient temperature: -20°C à +40°C - Tropicalization anti-mold - Mechanical protection: IP66 IK08 according to IEC

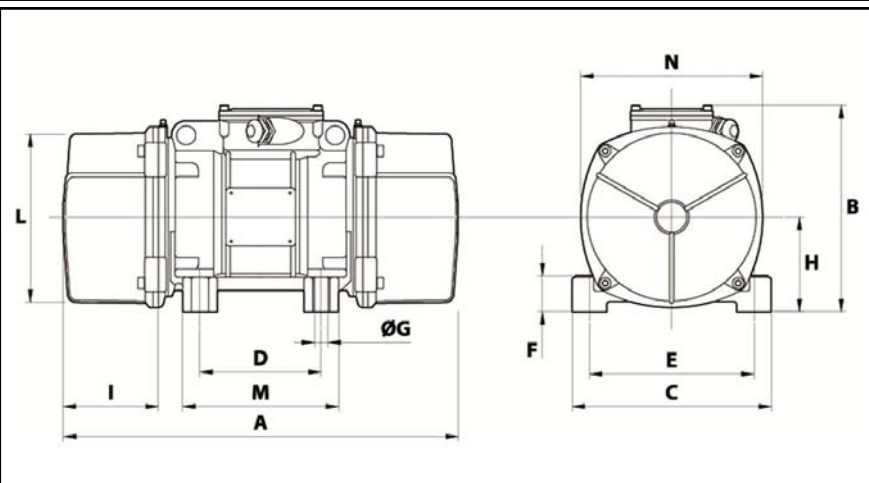
Bearing type: BALL

Lubrication "FOR LIFE" with double protection screen

Fixing with 4 screws M12 - 1/2" quality 8.8 with tightening torque (kgm - ft/lb): 8 - 58

- Thread (pipe thread not supplied): NPT1/2"

Maintenance space: 96 mm



A	350
B	218
C	167
D	105
E	140
F	30
G	13
N° HOLES	4
H	90
I	96
L	150
M	140
N	175