

ACBMV B. CASADIO VIBRATION
 Z.I. Mi-Plaine
 51 Rue Ampère
 B.P. 31
 69682 CHASSIEU CEDEX (FRANCE)
 Tel.: 04 78 90 87 87 / Fax.: 04 78 90 87 88
 Email: vibrateur@orange.fr
 Internet: acbmv.com

4 POLES - 1500 RPM
 REF.: 601411A
 SIZE: 20

Certifications:



MECHANICAL AND ELECTRICAL SPECIFICATIONS

Eccentric weight setup (%)	Static moment (kgmm)	Working moment (kgcm)	Centrifugal force (kg)	Centrifugal force (kN)	Estimated bearings life time (hours)
100	219	43,80	552	5,42	6266
90	197,10	39,42	497	4,88	8585
80	175,20	35,04	442	4,34	12205
70	153,30	30,66	386	3,79	18325
60	131,40	26,28	331	3,25	29062
50	109,50	21,90	276	2,71	50128
40	87,60	17,52	221	2,17	97641
30	65,70	13,14	166	1,63	>100000
20	43,80	8,76	110	1,08	>100000
10	21,90	4,38	55	0,54	>100000

Power supply (volts)	400
Phases:	three phases
Frequency (Hz)	50 Hz
Rotation speed (RPM)	1500
Max input power (watt)	Input: 300 Rating: 215
Max current (amp)	0,6
IS/IR	3,33

DIMENSIONAL SPECIFICATIONS (mm)

Vibrator weight: 22,8 kg

Continual service ambient temperature: -20°C à +40°C - Tropicalization anti-mold - Mechanical protection: IP66 IK08 according to IEC

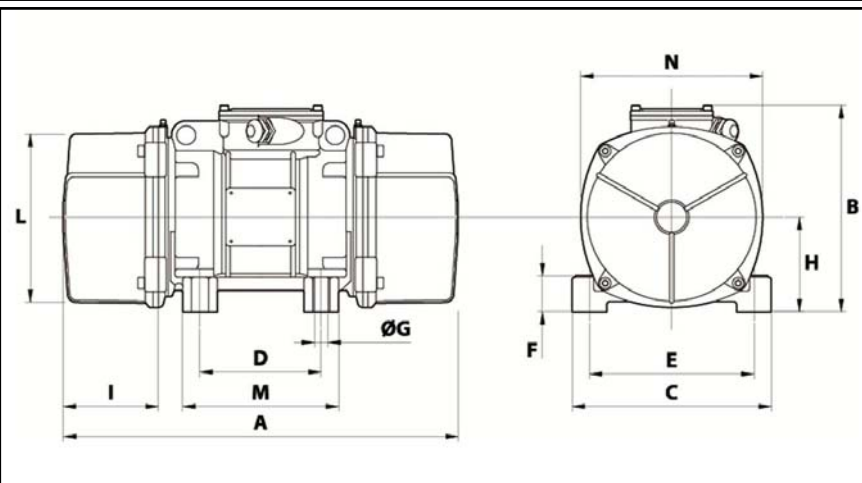
Bearing type: BALL

Lubrication "FOR LIFE" with double protection screen

Fixing with 4 screws M12 - 1/2" quality 8.8 with tightening torque (kgm - ft/lb): 8 - 58

- Thread (pipe thread not supplied): NPT1/2"

Maintenance space: 117 mm



A	392
B	218
C	167
D	105
E	140
F	30
G	13
N° HOLES	4
H	90
I	117
L	150
M	140
N	175