

ACBMV B. CASADIO VIBRATION
 Z.I. Mi-Plaine
 51 Rue Ampère
 B.P. 31
 69682 CHASSIEU CEDEX (FRANCE)
 Tel.: 04 78 90 87 87 / Fax.: 04 78 90 87 88
 Email: vibrateur@orange.fr
 Internet: acbmv.com

4 POLES - 1800 RPM
 REF.: 601412C
 SIZE: 30

Certifications:



MECHANICAL AND ELECTRICAL SPECIFICATIONS

Eccentric weight setup (%)	Static moment (kgmm)	Working moment (kgcm)	Centrifugal force (kg)	Centrifugal force (kN)	Estimated bearings life time (hours)
100	209	41,80	760	7,46	11997
90	188,10	37,62	684	6,71	16457
80	167,20	33,44	608	5,97	23432
70	146,30	29,26	532	5,22	34977
60	125,40	25,08	456	4,48	55542
50	104,50	20,90	380	3,73	95976
40	83,60	16,72	304	2,98	>100000
30	62,70	12,54	228	2,24	>100000
20	41,80	8,36	152	1,49	>100000
10	20,90	4,18	76	0,75	>100000

Power supply (volts)	260
Phases:	single phase
Frequency (Hz)	60 Hz
Rotation speed (RPM)	1800
Max input power (watt)	Input: 550 Rating: 300
Max current (amp)	5,15
IS/IR	3,63

DIMENSIONAL SPECIFICATIONS (mm)

Vibrator weight: 29 kg

Continual service ambient temperature: -20°C à +40°C - Tropicalization anti-mold - Mechanical protection: IP66 IK08 according to IEC

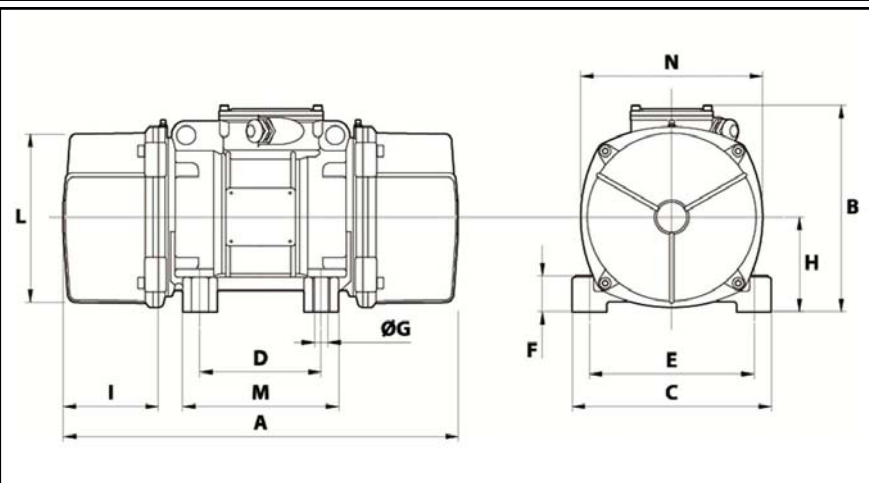
Bearing type: BALL

Lubrication "FOR LIFE" with double protection screen

Fixing with 4 screws M16 - 5/8" quality 8.8 with tightening torque (kgm - ft/lb): 19 - 137

- Thread (pipe thread not supplied): NPT1/2"

Maintenance space: 106 mm



A	394
B	230,5
C	205
D	120
E	170
F	45
G	17
N° HOLES	4
H	102
I	106
L	177
M	162
N	200