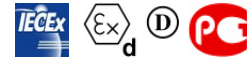


ACBMV B. CASADIO VIBRATION
 Z.I. Mi-Plaine
 51 Rue Ampère
 B.P. 31
 69682 CHASSIEU CEDEX (FRANCE)
 Tel.: 04 78 90 87 87 / Fax.: 04 78 90 87 88
 Email: vibrateur@orange.fr
 Internet: acbm.com

4 POLES - 1500 RPM
 REF.: 601413A
 SIZE: 35

Certifications:



MECHANICAL AND ELECTRICAL SPECIFICATIONS

Eccentric weight setup (%)	Static moment (kgmm)	Working moment (kgcm)	Centrifugal force (kg)	Centrifugal force (kN)	Estimated bearings life time (hours)
100	415	83,00	1045	10,30	9857
90	373,50	74,70	941	9,27	13980
80	332,00	66,40	836	8,24	20739
70	290,50	58,10	732	7,21	32292
60	249,00	49,80	627	6,18	54105
50	207,50	41,50	523	5,15	99036
40	166,00	33,20	418	4,12	>100000
30	124,50	24,90	314	3,09	>100000
20	83,00	16,60	209	2,06	>100000
10	41,50	8,30	105	1,03	>100000

Power supply (volts)	400
Phases:	three phases
Frequency (Hz)	50 Hz
Rotation speed (RPM)	1500
Max input power (watt)	Input: 520 Rating: 369
Max current (amp)	0,81
IS/IR	4,65

DIMENSIONAL SPECIFICATIONS (mm)

Vibrator weight: 46 kg

Continual service ambient temperature: -20°C à +40°C - Tropicalization anti-mold - Mechanical protection: IP66 IK08 according to IEC

Bearing type: ROLLER

Lubrication LONG-LIFE with KLUEBER STABURAGS NBU 8EP.

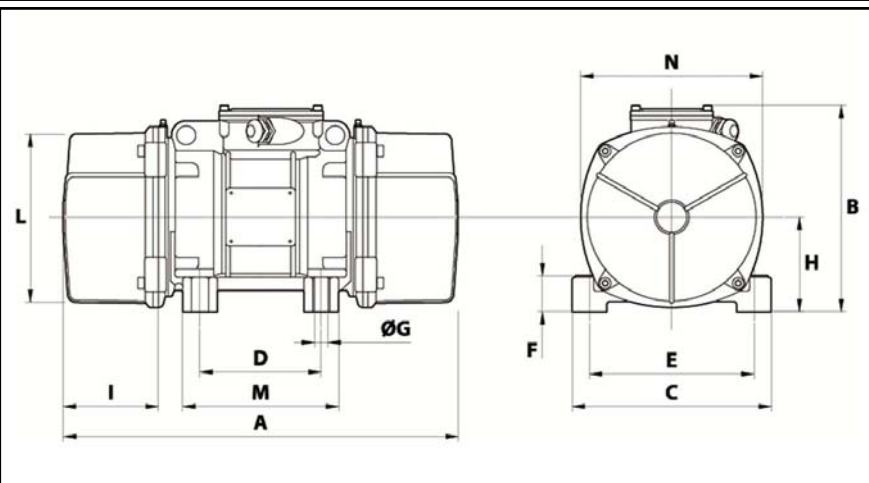
Re lubrication quantity after 1000 hours of using: 7g

Max quantity by replaced bearing: 12g

Fixing with 4 screws M16 - 5/8" quality 8.8 with tightening torque (kgm - ft/lb): 19 - 137

- Thread (pipe thread not supplied): NPT3/4"

Maintenance space: 118 mm



A	446
B	248,5
C	210
D	120
E	170
F	52
G	17
N° HOLES	4
H	112
I	118
L	192
M	160
N	218
