

ACBMV B. CASADIO VIBRATION  
 Z.I. Mi-Plaine  
 51 Rue Ampère  
 B.P. 31  
 69682 CHASSIEU CEDEX (FRANCE)  
 Tel.: 04 78 90 87 87 / Fax.: 04 78 90 87 88  
 Email: [vibrateur@orange.fr](mailto:vibrateur@orange.fr)  
 Internet: [acbm.com](http://acbm.com)

4 POLES - 1800 RPM  
 REF.: 601424C  
 SIZE: 40

Certifications:



### MECHANICAL AND ELECTRICAL SPECIFICATIONS

Eccentric weight setup (%)	Static moment (kgmm)	Working moment (kgcm)	Centrifugal force (kg)	Centrifugal force (kN)	Estimated bearings life time (hours)
100	400	80,00	1449	14,20	13165
90	360,00	72,00	1304	12,78	18709
80	320,00	64,00	1159	11,36	27714
70	280,00	56,00	1014	9,94	43270
60	240,00	48,00	869	8,52	72374
50	200,00	40,00	725	7,10	>100000
40	160,00	32,00	580	5,68	>100000
30	120,00	24,00	435	4,26	>100000
20	80,00	16,00	290	2,84	>100000
10	40,00	8,00	145	1,42	>100000

Power supply (volts)	460
Phases:	three phases
Frequency (Hz)	60 Hz
Rotation speed (RPM)	1800
Max input power (watt)	Input: 1000 Rating: 740
Max current (amp)	1,5
IS/IR	5,6

### DIMENSIONAL SPECIFICATIONS (mm)

**Vibrator weight: 61 kg**

Continual service ambient temperature: -20°C à +40°C - Tropicalization anti-mold - Mechanical protection: IP66 IK08 according to IEC

Bearing type: ROLLER

Lubrication LONG-LIFE with KLUEBER STABURAGS NBU 8EP.

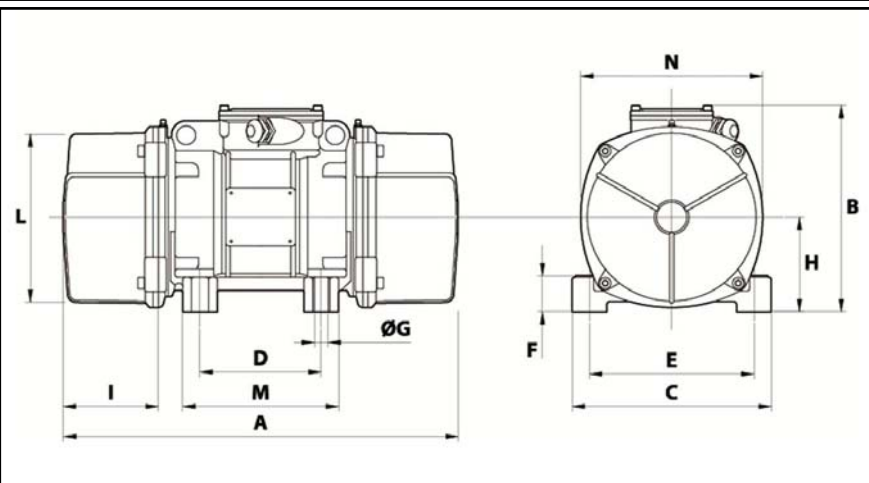
Re lubrication quantity after 1000 hours of using: 16g

Max quantity by replaced bearing: 30g

Fixing with 4 screws M16 - 5/8" quality 8.8 with tightening torque (kgm - ft/lb): 19 - 137

- Thread (pipe thread not supplied): NPT3/4"

Maintenance space: 108 mm



A	468
B	278,5
C	235
D	140
E	190
F	65
G	17
N° HOLES	4
H	116
I	108
L	210
M	185
N	225