

ACBMV B. CASADIO VIBRATION  
 Z.I. Mi-Plaine  
 51 Rue Ampère  
 B.P. 31  
 69682 CHASSIEU CEDEX (FRANCE)  
 Tel.: 04 78 90 87 87 / Fax.: 04 78 90 87 88  
 Email: [vibrateur@orange.fr](mailto:vibrateur@orange.fr)  
 Internet: [acbm.com](http://acbm.com)

4 POLES - 1500 RPM  
 REF.: 601487A  
 SIZE: 80

Certifications:



### MECHANICAL AND ELECTRICAL SPECIFICATIONS

Eccentric weight setup (%)	Static moment (kgmm)	Working moment (kgcm)	Centrifugal force (kg)	Centrifugal force (kN)	Estimated bearings life time (hours)
100	1990	398,00	5007	49,10	9930
90	1791,00	358,20	4506	44,19	14111
80	1592,00	318,40	4006	39,28	20885
70	1393,00	278,60	3505	34,37	32602
60	1194,00	238,80	3004	29,46	54518
50	995,00	199,00	2504	24,55	>100000
40	796,00	159,20	2003	19,64	>100000
30	597,00	119,40	1502	14,73	>100000
20	398,00	79,60	1001	9,82	>100000
10	199,00	39,80	501	4,91	>100000

Power supply (volts)	400
Phases:	three phases
Frequency (Hz)	50 Hz
Rotation speed (RPM)	1500
Max input power (watt)	Input: 2800 Rating: 2100
Max current (amp)	4,75
IS/IR	6,74

### DIMENSIONAL SPECIFICATIONS (mm)

**Vibrator weight: 167 kg**

Continual service ambient temperature: -20°C à +40°C - Tropicalization anti-mold - Mechanical protection: IP66 IK08 according to IEC

Bearing type: ROLLER

Lubrication LONG-LIFE with KLUEBER STABURAGS NBU 8EP.

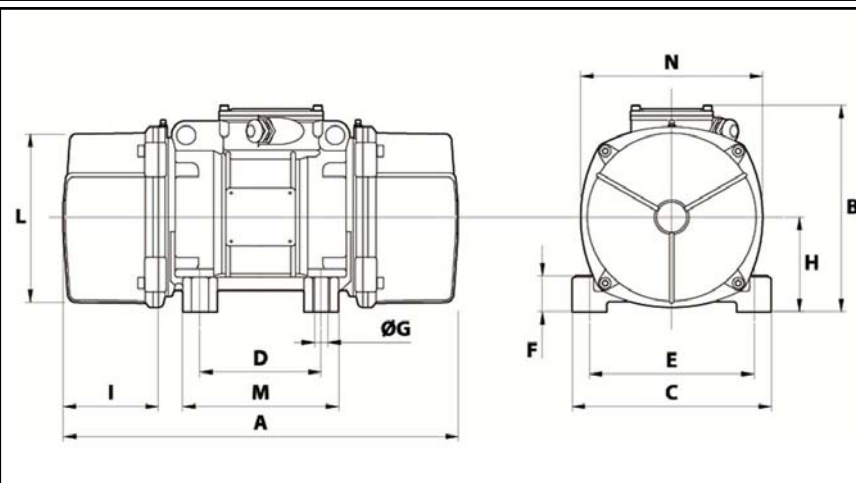
Re lubrication quantity after 1000 hours of using: 40g

Max quantity by replaced bearing: 80g

Fixing with 4 screws M24 - 15/16" quality 8.8 with tightening torque (kgm - ft/lb): 71 - 513

- Thread (pipe thread not supplied): NPT3/4"

Maintenance space: 150 mm



A	630
B	367
C	335
D	180
E	280
F	70
G	26
N° HOLES	4
H	175
I	150
L	303
M	235
N	320