

ACBMV B. CASADIO VIBRATION  
 Z.I. Mi-Plaine  
 51 Rue Ampère  
 B.P. 31  
 69682 CHASSIEU CEDEX (FRANCE)  
 Tel.: 04 78 90 87 87 / Fax.: 04 78 90 87 88  
 Email: [vibrateur@orange.fr](mailto:vibrateur@orange.fr)  
 Internet: [acbm.com](http://acbm.com)

4 POLES - 1800 RPM  
 REF.: 601487C  
 SIZE: 80

Certifications:



### MECHANICAL AND ELECTRICAL SPECIFICATIONS

Eccentric weight setup (%)	Static moment (kgmm)	Working moment (kgcm)	Centrifugal force (kg)	Centrifugal force (kN)	Estimated bearings life time (hours)
100	1364	272,80	4941	48,50	8648
90	1227,60	245,52	4447	43,65	12286
80	1091,20	218,24	3953	38,80	18192
70	954,80	190,96	3459	33,95	28388
60	818,40	163,68	2965	29,10	47448
50	682,00	136,40	2471	24,25	87108
40	545,60	109,12	1976	19,40	>100000
30	409,20	81,84	1482	14,55	>100000
20	272,80	54,56	988	9,70	>100000
10	136,40	27,28	494	4,85	>100000

Power supply (volts)	460
Phases:	three phases
Frequency (Hz)	60 Hz
Rotation speed (RPM)	1800
Max input power (watt)	Input: 2800 Rating: 2100
Max current (amp)	4,4
IS/IR	7,2

### DIMENSIONAL SPECIFICATIONS (mm)

**Vibrator weight: 160 kg**

Continual service ambient temperature: -20°C à +40°C - Tropicalization anti-mold - Mechanical protection: IP66 IK08 according to IEC

Bearing type: ROLLER

Lubrication LONG-LIFE with KLUEBER STABURAGS NBU 8EP.

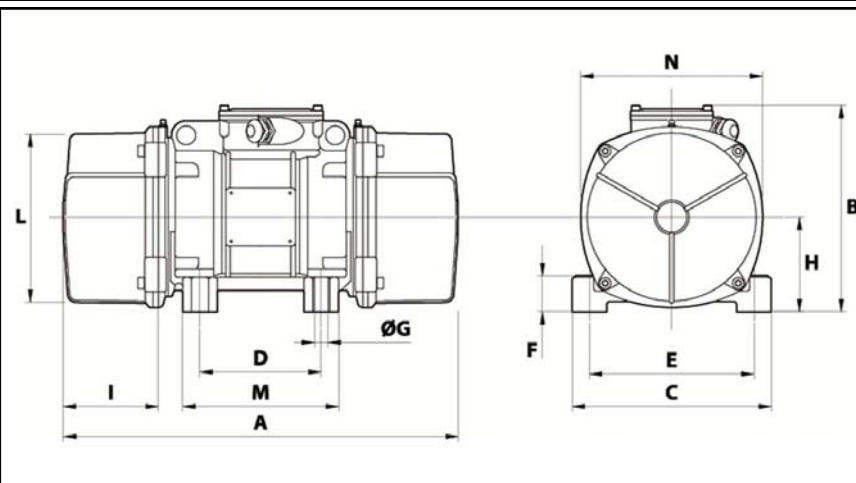
Re lubrication quantity after 1000 hours of using: 40g

Max quantity by replaced bearing: 80g

Fixing with 4 screws M24 - 15/16" quality 8.8 with tightening torque (kgm - ft/lb): 71 - 513

- Thread (pipe thread not supplied): NPT3/4"

Maintenance space: 150 mm



A	630
B	367
C	335
D	180
E	280
F	70
G	26
N° HOLES	4
H	175
I	150
L	303
M	235
N	320