

ACBMV B. CASADIO VIBRATION
 Z.I. Mi-Plaine
 51 Rue Ampère
 B.P. 31
 69682 CHASSIEU CEDEX (FRANCE)
 Tel.: 04 78 90 87 87 / Fax.: 04 78 90 87 88
 Email: vibrateur@orange.fr
 Internet: acbmv.com

4 POLES - 1500 RPM ATEX II 2D tD A21 IP 66 ZONE 21-22
 REF.: 601513A Dust T°=120°C
 SIZE: 30

Certifications:



MECHANICAL AND ELECTRICAL SPECIFICATIONS

Eccentric weight setup (%)	Static moment (kgmm)	Working moment (kgcm)	Centrifugal force (kg)	Centrifugal force (kN)	Estimated bearings life time (hours)
100	357,00	71,40	900	8,83	12752
90	321,30	64,26	810	7,95	17492
80	285,60	57,12	720	7,06	24906
70	249,90	49,98	630	6,18	37178
60	214,20	42,84	540	5,30	59037
50	178,50	35,70	450	4,42	>100000
40	142,80	28,56	360	3,53	>100000
30	107,10	21,42	270	2,65	>100000
20	71,40	14,28	180	1,77	>100000
10	35,70	7,14	90	0,88	>100000

Power supply (volts)	400
Phases:	three phases
Frequency (Hz)	50 Hz
Rotation speed (RPM)	1500
Max input power (watt)	525
Max current (amp)	0,92
IS/IR	3,48

DIMENSIONAL SPECIFICATIONS (mm)

Vibrator weight: 30,0 kg

Continual service ambient temperature: -20°C à +40°C - Tropicalization anti-mold - Mechanical protection: IP66 IK08 according to IEC

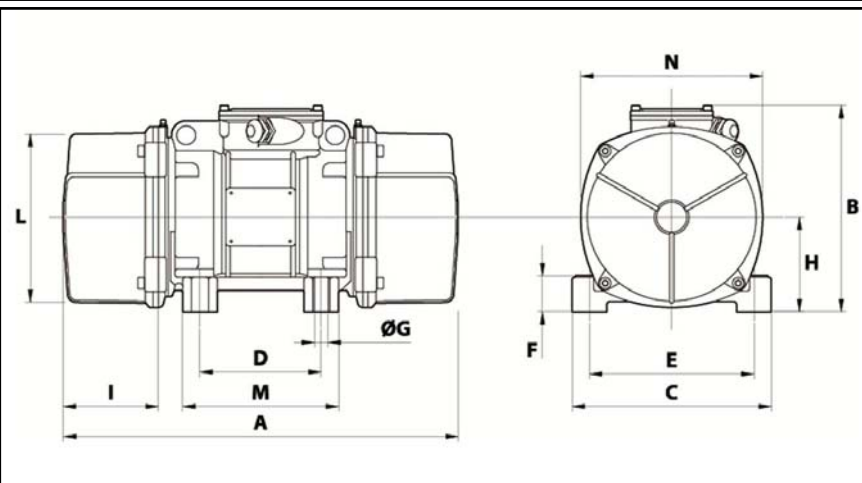
Bearing type: BALL

Lubrication "FOR LIFE" with double protection screen

Fixing with 4 screws M16 - 5/8" quality 8.8 with tightening torque (kgm - ft/lb): 19 - 137

Power supply cable size: 9 à 16 mm - Cable entry thread: M25x1,5

Maintenance space: 106 mm



A	394
B	216
C	205
D	120
E	170
F	45
G	17
N° HOLES	4
H	94
I	106
L	170
M	160
N	182