

ACBMV B. CASADIO VIBRATION
 Z.I. Mi-Plaine
 51 Rue Ampère
 B.P. 31
 69682 CHASSIEU CEDEX (FRANCE)
 Tel.: 04 78 90 87 87 / Fax.: 04 78 90 87 88
 Email: vibrateur@orange.fr
 Internet: acbmv.com

4 POLES - 1500 RPM
 REF.: 601526A
 SIZE: 30

Certifications:



MECHANICAL AND ELECTRICAL SPECIFICATIONS

Eccentric weight setup (%)	Static moment (kgmm)	Working moment (kgcm)	Centrifugal force (kg)	Centrifugal force (kN)	Estimated bearings life time (hours)
100	286	57,20	720	7,06	19453
90	257,40	51,48	648	6,35	26684
80	228,80	45,76	576	5,65	37994
70	200,20	40,04	504	4,94	56714
60	171,60	34,32	432	4,24	90060
50	143,00	28,60	360	3,53	>100000
40	114,40	22,88	288	2,82	>100000
30	85,80	17,16	216	2,12	>100000
20	57,20	11,44	144	1,41	>100000
10	28,60	5,72	72	0,71	>100000

Power supply (volts)	400
Phases:	three phases
Frequency (Hz)	50 Hz
Rotation speed (RPM)	1500
Max input power (watt)	525
Max current (amp)	0,92
IS/IR	3,43

DIMENSIONAL SPECIFICATIONS (mm)

Vibrator weight: 32 kg

Continual service ambient temperature: -20°C à +40°C - Tropicalization anti-mold - Mechanical protection: IP66 IK08 according to IEC

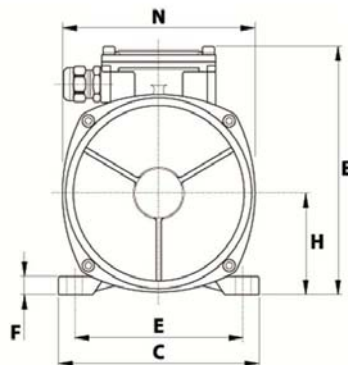
Bearing type: BALL

Lubrication "FOR LIFE" with double protection screen

Fixing with 4 screws M16 - 5/8" quality 8.8 with tightening torque (kgm - ft/lb): 19 - 137

Power supply cable size: 9 à 16 mm - Cable entry thread: M25x1,5

Maintenance space: 98 mm



A	378
B	205
C	205
D	120
E	170
F	17
G	17
N° HOLES	4
H	93,5
I	98
L	168
M	160
N	182-
