

ACBMV B. CASADIO VIBRATION
 Z.I. Mi-Plaine
 51 Rue Ampère
 B.P. 31
 69682 CHASSIEU CEDEX (FRANCE)
 Tel.: 04 78 90 87 87 / Fax.: 04 78 90 87 88
 Email: vibrateur@orange.fr
 Internet: acbmv.com

8 POLES - 900 RPM
 REF.: 602563C
 SIZE: 35

Certifications:



MECHANICAL AND ELECTRICAL SPECIFICATIONS

Eccentric weight setup (%)	Static moment (kgmm)	Working moment (kgcm)	Centrifugal force (kg)	Centrifugal force (kN)	Estimated bearings life time (hours)
100	457	91,40	415	4,07	>100000
90	411,30	82,26	374	3,66	>100000
80	365,60	73,12	332	3,26	>100000
70	319,90	63,98	291	2,85	>100000
60	274,20	54,84	249	2,44	>100000
50	228,50	45,70	208	2,04	>100000
40	182,80	36,56	166	1,63	>100000
30	137,10	27,42	125	1,22	>100000
20	91,40	18,28	83	0,81	>100000
10	45,70	9,14	42	0,41	>100000

Power supply (volts)	460
Phases:	three phases
Frequency (Hz)	60 Hz
Rotation speed (RPM)	900
Max input power (watt)	300
Max current (amp)	0,58
IS/IR	2,5

DIMENSIONAL SPECIFICATIONS (mm)

Vibrator weight: 43,5 kg

Continual service ambient temperature: -20°C à +40°C - Tropicalization anti-mold - Mechanical protection: IP66 IK08 according to IEC

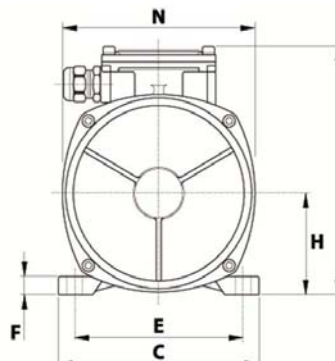
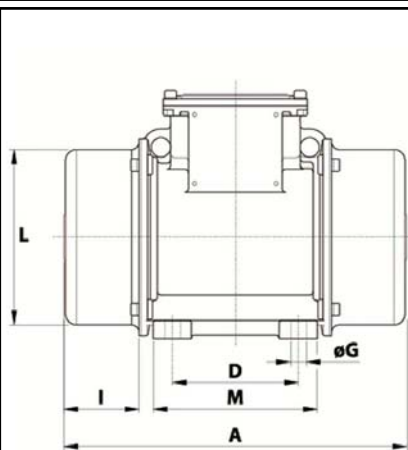
Bearing type: BALL

Lubrication "FOR LIFE" with double protection screen

Fixing with 4 screws M16 - 5/8" quality 8.8 with tightening torque (kgm - ft/lb): 19 - 137

Power supply cable size: 9 à 16 mm - Cable entry thread: M25x1,5

Maintenance space: 117 mm



A	434
B	232
C	205
D	120
E	170
F	20
G	17
N° HOLES	4
H	104,5
I	117
L	181
M	162
N	203

--	--	--	--	--	--