

ACBMV B. CASADIO VIBRATION
 Z.I. Mi-Plaine
 51 Rue Ampère
 B.P. 31
 69682 CHASSIEU CEDEX (FRANCE)
 Tel.: 04 78 90 87 87 / Fax.: 04 78 90 87 88
 Email: vibrateur@orange.fr
 Internet: acbmv.com

8 POLES - 750 RPM
 REF.: 602567A
 SIZE: 70

Certifications:



MECHANICAL AND ELECTRICAL SPECIFICATIONS

Eccentric weight setup (%)	Static moment (kgmm)	Working moment (kgcm)	Centrifugal force (kg)	Centrifugal force (kN)	Estimated bearings life time (hours)
100	2326	465,20	1463	14,40	42000
90	2093,40	418,68	1317	12,96	59627
80	1860,80	372,16	1170	11,52	88466
70	1628,20	325,64	1024	10,08	>100000
60	1395,60	279,12	878	8,64	>100000
50	1163,00	232,60	732	7,20	>100000
40	930,40	186,08	585	5,76	>100000
30	697,80	139,56	439	4,32	>100000
20	465,20	93,04	293	2,88	>100000
10	232,60	46,52	146	1,44	>100000

Power supply (volts)	400
Phases:	three phases
Frequency (Hz)	50 Hz
Rotation speed (RPM)	750
Max input power (watt)	1500
Max current (amp)	4,1
IS/IR	2,95

DIMENSIONAL SPECIFICATIONS (mm)

Vibrator weight: 130 kg

Continual service ambient temperature: -20°C à +40°C - Tropicalization anti-mold - Mechanical protection: IP66 IK08 according to IEC

Bearing type: ROLLER

Lubrication LONG-LIFE with KLUEBER STABURAGS NBU 8EP.

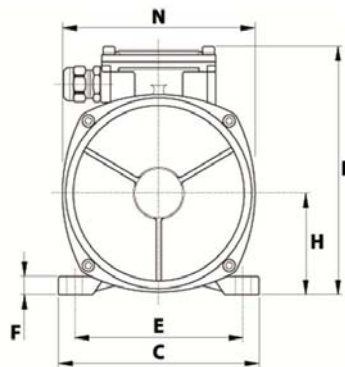
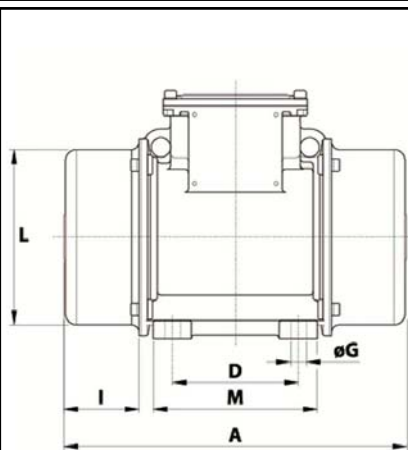
Re lubrication quantity after 1000 hours of using: 18g

Max quantity by replaced bearing: 32g

Fixing with 4 screws M22 - 7/8" quality 8.8 with tightening torque (kgm - ft/lb): 56 - 411

Power supply cable size: 9 à 16 mm - Cable entry thread: M25x1,5

Maintenance space: 173,5 mm



A	657
B	323
C	310
D	155
E	255
F	35
G	23,5
N° HOLES	4
H	155
I	173.5
L	269
M	215
N	295