

ACBMV B. CASADIO VIBRATION  
 Z.I. Mi-Plaine  
 51 Rue Ampère  
 B.P. 31  
 69682 CHASSIEU CEDEX (FRANCE)  
 Tel.: 04 78 90 87 87 / Fax.: 04 78 90 87 88  
 Email: [vibrateur@orange.fr](mailto:vibrateur@orange.fr)  
 Internet: [acbmv.com](http://acbmv.com)

8 POLES - 900 RPM  
 REF.: 602567C  
 SIZE: 70

Certifications:



### MECHANICAL AND ELECTRICAL SPECIFICATIONS

Eccentric weight setup (%)	Static moment (kgmm)	Working moment (kgcm)	Centrifugal force (kg)	Centrifugal force (kN)	Estimated bearings life time (hours)
100	2326	465,20	2107	20,70	65780
90	2093,40	418,68	1896	18,63	93508
80	1860,80	372,16	1686	16,56	>100000
70	1628,20	325,64	1475	14,49	>100000
60	1395,60	279,12	1264	12,42	>100000
50	1163,00	232,60	1054	10,35	>100000
40	930,40	186,08	843	8,28	>100000
30	697,80	139,56	632	6,21	>100000
20	465,20	93,04	421	4,14	>100000
10	232,60	46,52	211	2,07	>100000

Power supply (volts)	460
Phases:	three phases
Frequency (Hz)	60 Hz
Rotation speed (RPM)	900
Max input power (watt)	1790
Max current (amp)	4,2
IS/IR	2,95

### DIMENSIONAL SPECIFICATIONS (mm)

**Vibrator weight: 130 kg**

Continual service ambient temperature: -20°C à +40°C - Tropicalization anti-mold - Mechanical protection: IP66 IK08 according to IEC

Bearing type: ROLLER

Lubrication LONG-LIFE with KLUEBER STABURAGS NBU 8EP.

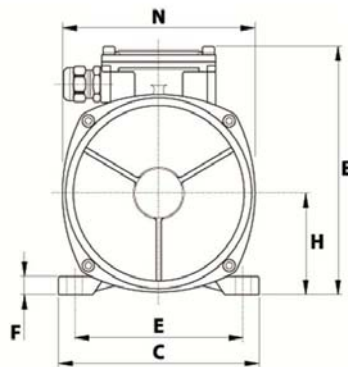
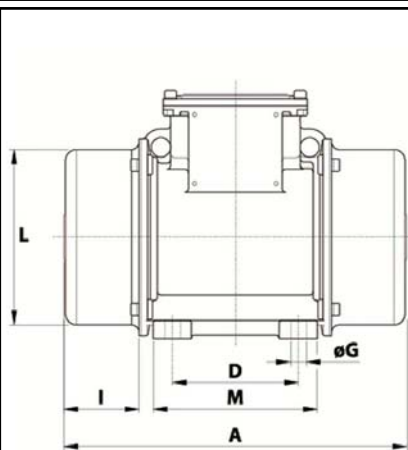
Re lubrication quantity after 1000 hours of using: 18g

Max quantity by replaced bearing: 32g

Fixing with 4 screws M22 - 7/8" quality 8.8 with tightening torque (kgm - ft/lb): 56 - 411

Power supply cable size: 9 à 16 mm - Cable entry thread: M25x1,5

Maintenance space: 173,5 mm



A	657
B	323
C	310
D	155
E	255
F	35
G	23,5
N° HOLES	4
H	155
I	173.5
L	269
M	215
N	295
