

ACBMV B. CASADIO VIBRATION  
 Z.I. Mi-Plaine  
 51 Rue Ampère  
 B.P. 31  
 69682 CHASSIEU CEDEX (FRANCE)  
 Tel.: 04 78 90 87 87 / Fax.: 04 78 90 87 88  
 Email: [vibrateur@orange.fr](mailto:vibrateur@orange.fr)  
 Internet: [acbm.com](http://acbm.com)

8 POLES - 750 RPM  
 REF.: 602622A  
 SIZE: 60

Certifications:



### MECHANICAL AND ELECTRICAL SPECIFICATIONS

| Eccentric weight setup (%) | Static moment (kgmm) | Working moment (kgcm) | Centrifugal force (kg) | Centrifugal force (kN) | Estimated bearings life time (hours) |
|----------------------------|----------------------|-----------------------|------------------------|------------------------|--------------------------------------|
| 100                        | 1464                 | 292,80                | 922                    | 9,04                   | 60186                                |
| 90                         | 1317,60              | 263,52                | 830                    | 8,14                   | 85442                                |
| 80                         | 1171,20              | 234,24                | 738                    | 7,23                   | >100000                              |
| 70                         | 1024,80              | 204,96                | 645                    | 6,33                   | >100000                              |
| 60                         | 878,40               | 175,68                | 553                    | 5,42                   | >100000                              |
| 50                         | 732,00               | 146,40                | 461                    | 4,52                   | >100000                              |
| 40                         | 585,60               | 117,12                | 369                    | 3,62                   | >100000                              |
| 30                         | 439,20               | 87,84                 | 277                    | 2,71                   | >100000                              |
| 20                         | 292,80               | 58,56                 | 184                    | 1,81                   | >100000                              |
| 10                         | 146,40               | 29,28                 | 92                     | 0,90                   | >100000                              |

|                        |              |
|------------------------|--------------|
| Power supply (volts)   | 400          |
| Phases:                | three phases |
| Frequency (Hz)         | 50 Hz        |
| Rotation speed (RPM)   | 750          |
| Max input power (watt) | 950          |
| Max current (amp)      | 2,2          |
| IS/IR                  | 3,41         |

### DIMENSIONAL SPECIFICATIONS (mm)

**Vibrator weight: 94 kg**

Continual service ambient temperature: -20°C à +40°C - Tropicalization anti-mold - Mechanical protection: IP66 IK08 according to IEC

Bearing type: ROLLER

Lubrication LONG-LIFE with KLUEBER STABURAGS NBU 8EP.

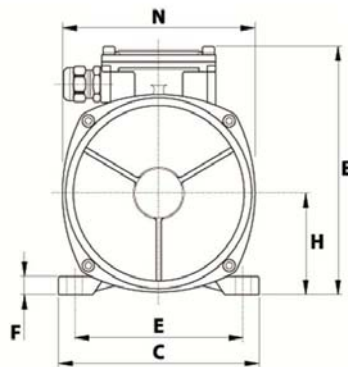
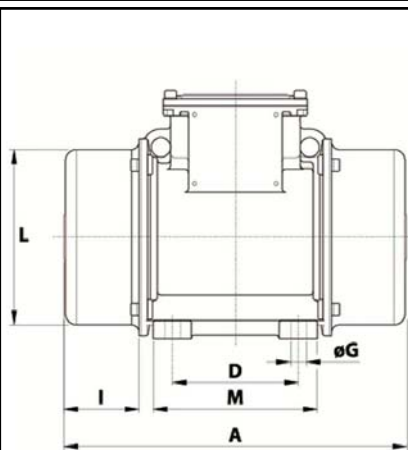
Re lubrication quantity after 1000 hours of using: 14g

Max quantity by replaced bearing: 28g

Fixing with 4 screws M20 - 13/16" quality 8.8 with tightening torque (kgm - ft/lb): 38 - 275

Power supply cable size: 9 à 16 mm - Cable entry thread: M25x1,5

Maintenance space: 169 mm



|          |     |
|----------|-----|
| A        | 601 |
| B        | 285 |
| C        | 275 |
| D        | 155 |
| E        | 225 |
| F        | 30  |
| G        | 22  |
| N° HOLES | 4   |
| H        | 135 |
| I        | 169 |
| L        | 231 |
| M        | 205 |
| N        | 253 |
|          |     |
|          |     |