

ACBMV B. CASADIO VIBRATION  
 Z.I. Mi-Plaine  
 51 Rue Ampère  
 B.P. 31  
 69682 CHASSIEU CEDEX (FRANCE)  
 Tel.: 04 78 90 87 87 / Fax.: 04 78 90 87 88  
 Email: [vibrateur@orange.fr](mailto:vibrateur@orange.fr)  
 Internet: [acbm.com](http://acbm.com)

6000 RPM  
 REF.: 603043Q  
 SIZE: AF30

Certifications:



### MECHANICAL AND ELECTRICAL SPECIFICATIONS

Eccentric weight setup (%)	Centrifugal force (kg)	Centrifugal force (kN)	Estimated bearings life time (hours)
100	1200	11,3	1143
90	1080	10,17	1624
80	960	9,04	2405
70	840	7,91	3753
60	720	6,78	6274
50	600	5,65	11521
40	480	4,52	24239
30	360	3,39	63238
20	240	2,26	>100000
10	120	1,13	>100000

Power supply (volts)	250
Phases:	three phases
Frequency (Hz)	200 Hz
Rotation speed (RPM)	6000
Max input power (watt)	1000
Max current (amp)	3,3
IS/IR	6,06

### DIMENSIONAL SPECIFICATIONS (mm)

**Vibrator weight: 18 kg**

Continual service ambient temperature: -20°C à +40°C - Tropicalization anti-mold - Mechanical protection: IP66 IK08 according to IEC

Bearing type: ROLLER

Lubrication LONG-LIFE with KLUEBER ISOFLEX NBU 15.

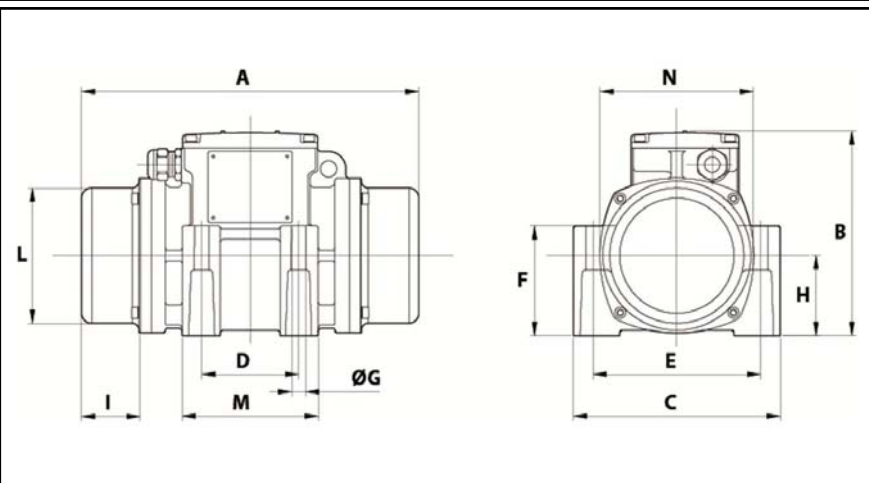
Re lubrication quantity after 1000 hours of using: 4g

Max quantity by replaced bearing: 8g

Fixing with 4 screws M12 - 1/2" quality 8.8 with tightening torque (kgm - ft/lb): 8 - 58

Power supply cable size: 9 à 16 mm - Cable entry thread: M25x1,5

Maintenance space: 54 mm



A	310
B	186
C	190
D	90
E	154
F	100
G	13
N° HOLES	4
H	73
I	54
L	124
M	125
N	141
