

ACBMV B. CASADIO VIBRATION
 Z.I. Mi-Plaine
 51 Rue Ampère
 B.P. 31
 69682 CHASSIEU CEDEX (FRANCE)
 Tel.: 04 78 90 87 87 / Fax.: 04 78 90 87 88
 Email: vibrateur@orange.fr
 Internet: acbm.com

6000 RPM
 REF.: 6030540
 SIZE: AF33
 Certifications:



MECHANICAL AND ELECTRICAL SPECIFICATIONS

| Eccentric weight setup (%) | Centrifugal force (kg) | Centrifugal force (kN) | Estimated bearings life time (hours) |
|----------------------------|------------------------|------------------------|--------------------------------------|
| 100 | 1484 | 14,6 | 983 |
| 90 | 1336 | 13,14 | 1348 |
| 80 | 1187 | 11,68 | 1920 |
| 70 | 1039 | 10,22 | 2866 |
| 60 | 890 | 8,76 | 4551 |
| 50 | 742 | 7,30 | 7864 |
| 40 | 594 | 5,84 | 15359 |
| 30 | 445 | 4,38 | 36407 |
| 20 | 297 | 2,92 | >100000 |
| 10 | 148 | 1,46 | >100000 |

| | |
|------------------------|--------------|
| Power supply (volts) | 250 |
| Phases: | three phases |
| Frequency (Hz) | 100 Hz |
| Rotation speed (RPM) | 6000 |
| Max input power (watt) | 1700 |
| Max current (amp) | 4,8 |
| IS/IR | 7,1 |

DIMENSIONAL SPECIFICATIONS (mm)

Vibrator weight: 25 kg

Continual service ambient temperature: -20°C à +40°C - Tropicalization anti-mold - Mechanical protection: IP66 IK08 according to IEC

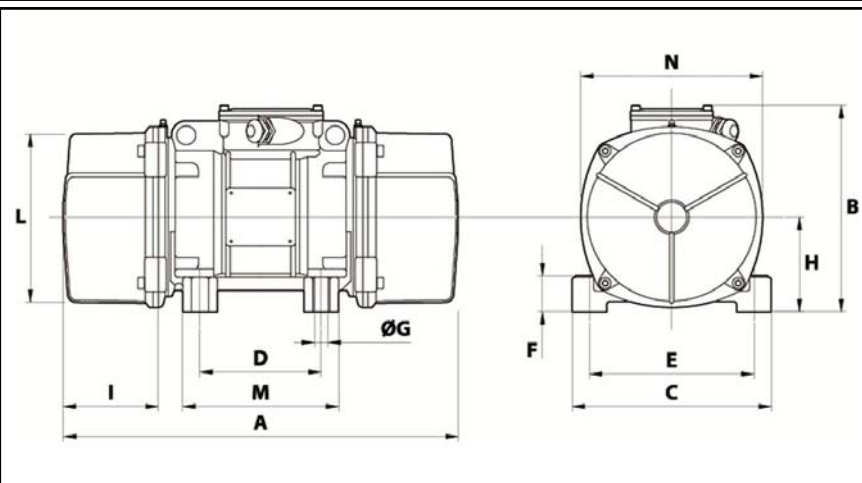
Bearing type: BALL

Lubrication "FOR LIFE" with double protection screen

Fixing with 4 screws M16 - 5/8" quality 8.8 with tightening torque (kgm - ft/lb): 19 - 137

Power supply cable size: 9 à 16 mm - Cable entry thread: M25x1,5

Maintenance space: 106 mm



| | |
|----------|-------|
| A | 375 |
| B | 216,5 |
| C | 215 |
| D | 100 |
| E | 180 |
| F | 47 |
| G | 17 |
| N° HOLES | 4 |
| H | 93,5 |
| I | 106 |
| L | 170 |
| M | 145 |
| N | 182 |