

ACBMV B. CASADIO VIBRATION  
 Z.I. Mi-Plaine  
 51 Rue Ampère  
 B.P. 31  
 69682 CHASSIEU CEDEX (FRANCE)  
 Tel.: 04 78 90 87 87 / Fax.: 04 78 90 87 88  
 Email: [vibrateur@orange.fr](mailto:vibrateur@orange.fr)  
 Internet: [acbm.com](http://acbm.com)

6000 RPM  
 REF.: 603054Q  
 SIZE: AF33  
 Certifications:



### MECHANICAL AND ELECTRICAL SPECIFICATIONS

Eccentric weight setup (%)	Centrifugal force (kg)	Centrifugal force (kN)	Estimated bearings life time (hours)
100	1484	14,6	983
90	1336	13,14	1348
80	1187	11,68	1920
70	1039	10,22	2866
60	890	8,76	4551
50	742	7,30	7864
40	594	5,84	15359
30	445	4,38	36407
20	297	2,92	>100000
10	148	1,46	>100000

Power supply (volts)	250
Phases:	three phases
Frequency (Hz)	200 Hz
Rotation speed (RPM)	6000
Max input power (watt)	1700
Max current (amp)	4,9
IS/IR	7,1

### DIMENSIONAL SPECIFICATIONS (mm)

**Vibrator weight: 25 kg**

Continual service ambient temperature: -20°C à +40°C - Tropicalization anti-mold - Mechanical protection: IP66 IK08 according to IEC

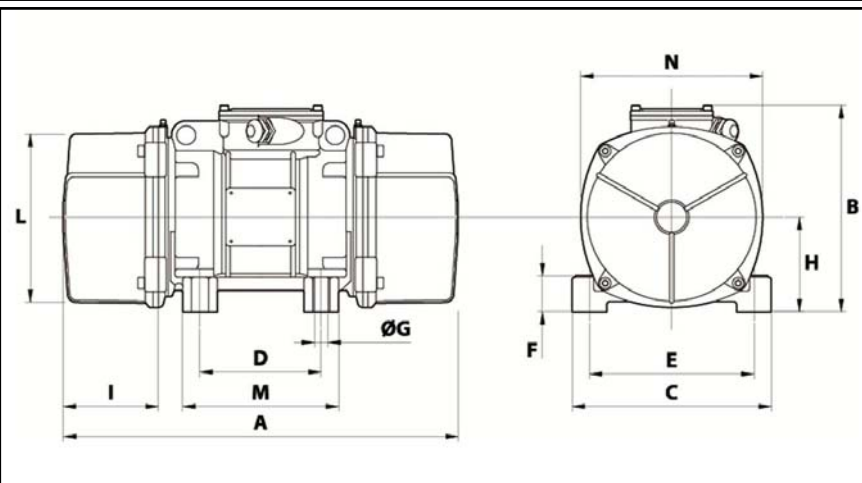
Bearing type: BALL

Lubrication "FOR LIFE" with double protection screen

Fixing with 4 screws M16 - 5/8" quality 8.8 with tightening torque (kgm - ft/lb): 19 - 137

Power supply cable size: 9 à 16 mm - Cable entry thread: M25x1,5

Maintenance space: 106 mm



A	375
B	216,5
C	215
D	100
E	180
F	47
G	17
N° HOLES	4
H	93,5
I	106
L	170
M	145
N	182
