

## VIBRATOR TYPE: MTF 3/300E-S02 260/460 VOLTS THREE PHASES 60 Hz

ACBMV B. CASADIO VIBRATION  
 Z.I. Mi-Plaine  
 51 Rue Ampère  
 B.P. 31  
 69682 CHASSIEU CEDEX (FRANCE)  
 Tel.: 04 78 90 87 87 / Fax.: 04 78 90 87 88  
 Email: [vibrateur@orange.fr](mailto:vibrateur@orange.fr)  
 Internet: [acbmv.com](http://acbmv.com)

2 POLES - 3600 RPM      ATEX II 2G,D - Classe Ex e II T4/T3 tD A21 IP 66 ZONE 1-2 / 21-22  
 REF.: 6E0370C      Gas T°=T3-T4 Dust T°=120°C  
 SIZE: 10

Certifications:



### MECHANICAL AND ELECTRICAL SPECIFICATIONS

Eccentric weight setup (%)	Centrifugal force weight up/down (kg)	Static moment weight	Centrifugal force weight up/down (kN)	Static moment weight up (kgmm)	Estimated bearings life time (hours)
100	148/148	10,2	1,45/1,45	10,2	4000
90	133,2/133,2	9,18	1,31/1,31	9,18	5487
80	118,4/118,4	8,16	1,16/1,16	8,16	7812
70	103,6/103,6	7,14	1,02/1,02	7,14	11662
60	88,8/88,8	6,12	0,87/0,87	6,12	18519
50	74/74	5,10	0,73/0,73	5,10	32000
40	59,2/59,2	4,08	0,58/0,58	4,08	62500
30	44,4/44,4	3,06	0,44/0,44	3,06	>100000
20	29,6/29,6	2,04	0,29/0,29	2,04	>100000
10	14,8/14,8	1,02	0,15/0,15	1,02	>100000

Power supply (volts)	460
Phases:	three phases
Frequency (Hz)	60 Hz
Rotation speed (RPM)	3600
Max input power (watt)	Input: T3=270 T4=230 Rating: T3=210 T4=172
Max current (amp)	T3=0,5 T4=0,41
IS/IR	T3=3,5 T4=4,2

### DIMENSIONAL SPECIFICATIONS (mm)

**Vibrator weight: 10,9 kg**

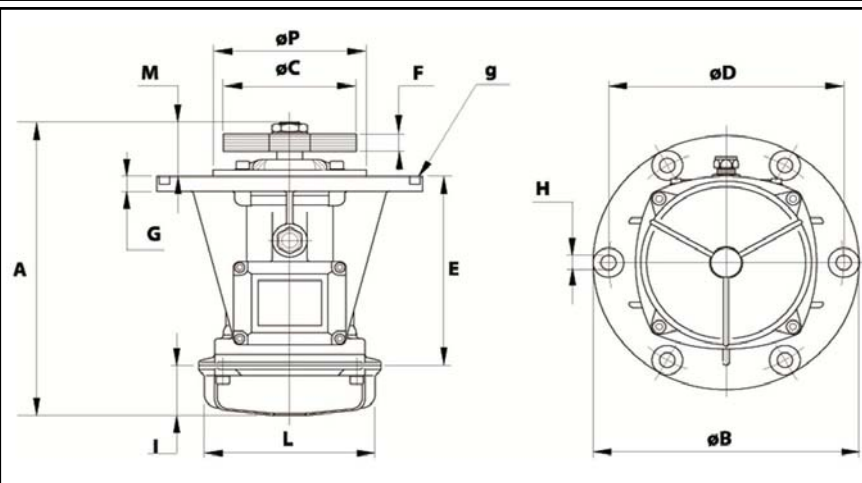
Continual service ambient temperature: -20°C à +40°C - Tropicalization anti-mold - Mechanical protection: IP66 IK08 according to IEC

Bearing type: BALL

Lubrication "FOR LIFE" with double protection screen

Fixing with 4 screws M10 - 7/16" quality 8.8 with tightening torque (kgm - ft/lb): 4.80 - 35

Power supply cable size: 6.5 à 12 mm - Cable entry thread: M20x1,5



A	247
B	215
C	110
D	187
H	12
N° TROUS	4
E	179,5
F	18 (50Hz) 12 (60Hz)
G	13
I	54
L	127
M	13,5
P	-