

## VIBRATOR TYPE: MTF 3/500E-S02 230/400 VOLTS THREE PHASES 50 Hz

ACBMV B. CASADIO VIBRATION  
 Z.I. Mi-Plaine  
 51 Rue Ampère  
 B.P. 31  
 69682 CHASSIEU CEDEX (FRANCE)  
 Tel.: 04 78 90 87 87 / Fax.: 04 78 90 87 88  
 Email: [vibrateur@orange.fr](mailto:vibrateur@orange.fr)  
 Internet: [acbm.com](http://acbm.com)

2 POLES - 3000 RPM      ATEX II 2G,D - Classe Ex e II T4/T3 tD A21 IP 66 ZONE 1-2 / 21-22  
 REF.: 6E0378A      Gas T°=T3-T4 Dust T°=120°C  
 SIZE: 20

Certifications:



### MECHANICAL AND ELECTRICAL SPECIFICATIONS

Eccentric weight setup (%)	Centrifugal force weight up/down (kg)	Static moment weight	Centrifugal force weight up/down (kN)	Static moment weight up (kgmm)	Estimated bearings life time (hours)
100	251/163	16,2	2,46/1,60	25	8500
90	225,9/146,7	14,58	2,21/1,44	22,50	11660
80	200,8/130,4	12,96	1,97/1,28	20,00	16602
70	175,7/114,1	11,34	1,72/1,12	17,50	24781
60	150,6/97,8	9,72	1,48/0,96	15,00	39352
50	125,5/81,5	8,10	1,23/0,80	12,50	68000
40	100,4/65,2	6,48	0,98/0,64	10,00	>100000
30	75,3/48,9	4,86	0,74/0,48	7,50	>100000
20	50,2/32,6	3,24	0,49/0,32	5,00	>100000
10	25,1/16,3	1,62	0,25/0,16	2,50	>100000

Power supply (volts)	400
Phases:	three phases
Frequency (Hz)	50 Hz
Rotation speed (RPM)	3000
Max input power (watt)	Input: T3=500 T4=350 Rating: T3=300 T4=210
Max current (amp)	T3=0,76 T4=0,57
IS/IR	T3=4,2 T4=5,6

### DIMENSIONAL SPECIFICATIONS (mm)

**Vibrator weight: 15 kg**

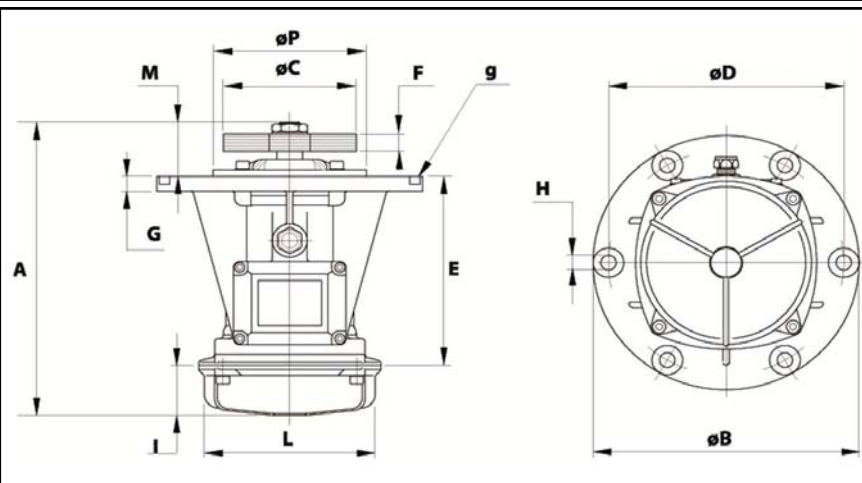
Continual service ambient temperature: -20°C à +40°C - Tropicalization anti-mold - Mechanical protection: IP66 IK08 according to IEC

Bearing type: BALL

Lubrication "FOR LIFE" with double protection screen

Fixing with 6 screws M10 - 7/16" quality 8.8 with tightening torque (kgm - ft/lb): 4.80 - 35

Power supply cable size: 9 à 16 mm - Cable entry thread: M25x1,5



A	279,5
B	245
C	122
D	205
H	12
N° TROUS	6
E	124
F	24 (50Hz) 15 (60Hz)
G	12
I	65
L	145
M	90,5
P	162