

VIBRATOR TYPE: MVB 1510/15-E 260/460 VOLTS THREE PHASES 60 Hz

ACBMV B. CASADIO VIBRATION
 Z.I. Mi-Plaine
 51 Rue Ampère
 B.P. 31
 69682 CHASSIEU CEDEX (FRANCE)
 Tel.: 04 78 90 87 87 / Fax.: 04 78 90 87 88
 Email: vibrateur@orange.fr
 Internet: acbm.com

4 POLES - 1800 RPM ATEX II 2G,D - Classe Ex e II T4/T3 tD A21 IP 66 ZONE 1-2 / 21-22
 REF.: 6E1226C Gas T°=T3-T4 Dust T°=150°C
 SIZE: 50

Certifications:



MECHANICAL AND ELECTRICAL SPECIFICATIONS

| Eccentric weight setup (%) | Centrifugal force (kg) | Centrifugal force (kN) | Estimated bearings life time (hours) |
|----------------------------|------------------------|------------------------|--------------------------------------|
| 100 | 1500 | 14,7 | 33552 |
| 90 | 1350 | 13,23 | 47670 |
| 80 | 1200 | 11,76 | 70591 |
| 70 | 1050 | 10,29 | >100000 |
| 60 | 900 | 8,82 | >100000 |
| 50 | 750 | 7,35 | >100000 |
| 40 | 600 | 5,88 | >100000 |
| 30 | 450 | 4,41 | >100000 |
| 20 | 300 | 2,94 | >100000 |
| 10 | 150 | 1,47 | >100000 |

| | |
|------------------------|--|
| Power supply (volts) | 460 |
| Phases: | three phases |
| Frequency (Hz) | 60 Hz |
| Rotation speed (RPM) | 1800 |
| Max input power (watt) | Input: T3=1150 T4=700 Rating: T3=800 T4=530 |
| Max current (amp) | T3=1,82 T4=1,27 |
| IS/IR | T3=4,95 T4=7 |

DIMENSIONAL SPECIFICATIONS (mm)

Vibrator weight: 41,5 kg

Continual service ambient temperature: -20°C à +40°C - Tropicalization anti-mold - Mechanical protection: IP66 IK08 according to IEC

Bearing type: ROLLER

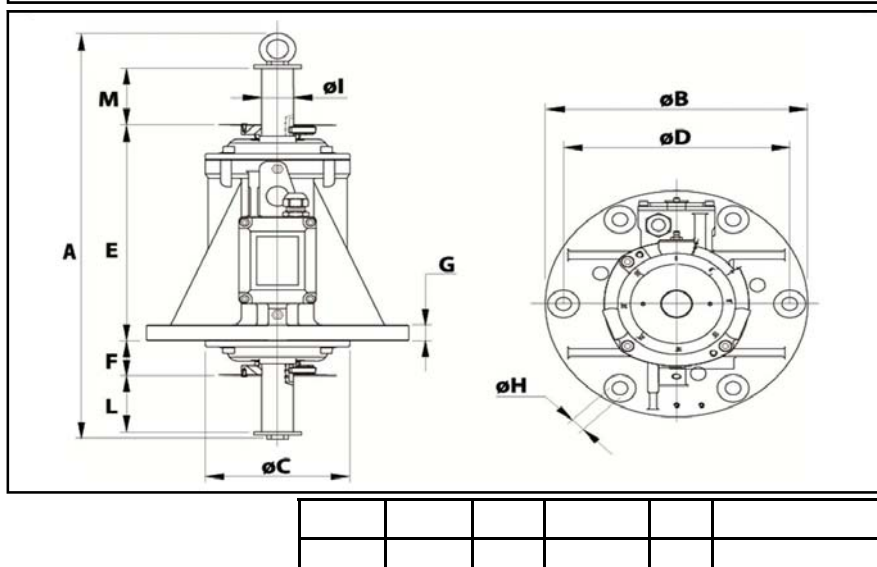
Lubrication LONG-LIFE with KLUEBER STABURAGS NBU 8EP.

Re lubrication quantity after 1000 hours of using: 30g

Max quantity by replaced bearing: 16g

Fixing with 6 screws M16 - 5/8" quality 8.8 with tightening torque (kgm - ft/lb): 19 - 137

Power supply cable size: 12.5 à 15 mm - Cable entry thread: M25x1,5



| | |
|----------|-----|
| A | 476 |
| B | 290 |
| C | 171 |
| D | 250 |
| E | 278 |
| F | 46 |
| G | 20 |
| N° HOLES | 6 |
| H | 17 |
| I | 35 |
| L | 71 |
| M | 71 |
| N | |
| | |
| | |