

VIBRATOR TYPE: MTF 15/200 E-S02 230/400 VOLTS THREE PHASES 50 Hz

ACBMV B. CASADIO VIBRATION
 Z.I. Mi-Plaine
 51 Rue Ampère
 B.P. 31
 69682 CHASSIEU CEDEX (FRANCE)
 Tel.: 04 78 90 87 87 / Fax.: 04 78 90 87 88
 Email: vibrateur@orange.fr
 Internet: acbmv.com

4 POLES - 1500 RPM ATEX II 2G,D - Classe Ex e II T4/T3 tD A21 IP 66 ZONE 1-2 / 21-22
 REF.: 6E1403A Gas T°=T3-T4 Dust T°=120°C
 SIZE: 10

Certifications:



MECHANICAL AND ELECTRICAL SPECIFICATIONS

| Eccentric weight setup (%) | Centrifugal force weight up/down (kg) | Static moment weight | Centrifugal force weight up/down (kN) | Static moment weight up (kgmm) | Estimated bearings life time (hours) |
|----------------------------|---------------------------------------|----------------------|---------------------------------------|--------------------------------|--------------------------------------|
| 100 | 106/74 | 29,4 | 1,04/0,73 | 42,1 | 23406 |
| 90 | 95,4/66,6 | 26,46 | 0,94/0,66 | 37,89 | 32107 |
| 80 | 84,8/59,2 | 23,52 | 0,83/0,58 | 33,68 | 45715 |
| 70 | 74,2/51,8 | 20,58 | 0,73/0,51 | 29,47 | 68239 |
| 60 | 63,6/44,4 | 17,64 | 0,62/0,44 | 25,26 | >100000 |
| 50 | 53/37 | 14,70 | 0,52/0,37 | 21,05 | >100000 |
| 40 | 42,4/29,6 | 11,76 | 0,42/0,29 | 16,84 | >100000 |
| 30 | 31,8/22,2 | 8,82 | 0,31/0,22 | 12,63 | >100000 |
| 20 | 21,2/14,8 | 5,88 | 0,21/0,15 | 8,42 | >100000 |
| 10 | 10,6/7,4 | 2,94 | 0,10/0,07 | 4,21 | >100000 |

| | |
|------------------------|---|
| Power supply (volts) | 400 |
| Phases: | three phases |
| Frequency (Hz) | 50 Hz |
| Rotation speed (RPM) | 1500 |
| Max input power (watt) | Input: T3=203 T4=170 Rating: T3=90 T4=94 |
| Max current (amp) | T3=0,45 T4=0,39 |
| IS/IR | T3=2,04 T4=2,34 |

DIMENSIONAL SPECIFICATIONS (mm)

Vibrator weight: 14 kg

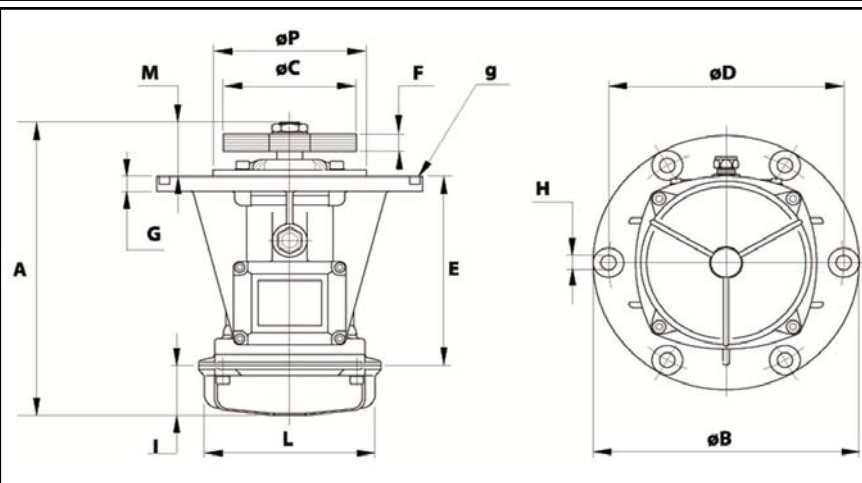
Continual service ambient temperature: -20°C à +40°C - Tropicalization anti-mold - Mechanical protection: IP66 IK08 according to IEC

Bearing type: BALL

Lubrication "FOR LIFE" with double protection screen

Fixing with 4 screws M10 - 7/16" quality 8.8 with tightening torque (kgm - ft/lb): 4.80 - 35

Power supply cable size: 6.5 à 12 mm - Cable entry thread: M20x1,5



| | |
|----------|-----------------------|
| A | 292,5 |
| B | 215 |
| C | 114 (50Hz) 108 (60Hz) |
| D | 187 |
| H | 12 |
| N° TROUS | 4 |
| E | 179,5 |
| F | 48 (50Hz) 40 (60Hz) |
| G | 13 |
| I | 77 |
| L | 127 |
| M | 36 |
| P | - |
| | |
| | |