


## VIBRATOR TYPE: MTF 15/400E-S02 260/460 VOLTS THREE PHASES 60 Hz

ACBMV B. CASADIO VIBRATION  
 Z.I. Mi-Plaine  
 51 Rue Ampère  
 B.P. 31  
 69682 CHASSIEU CEDEX (FRANCE)  
 Tel.: 04 78 90 87 87 / Fax.: 04 78 90 87 88  
 Email: [vibrateur@orange.fr](mailto:vibrateur@orange.fr)  
 Internet: [acbm.com](http://acbm.com)

4 POLES - 1800 RPM      ATEX II 2G,D - Classe Ex e II T4/T3 tD A21 IP 66 ZONE 1-2 / 21-22  
 REF.: 6E1405C      Gas T°=T3-T4 Dust T°=120°C  
 SIZE: 20

Certifications: 



### MECHANICAL AND ELECTRICAL SPECIFICATIONS

Eccentric weight setup (%)	Centrifugal force weight up/down (kg)	Static moment weight	Centrifugal force weight up/down (kN)	Static moment weight up (kgmm)	Estimated bearings life time (hours)
100	205/205	29,6	2,01/2,01	56,6	12635
90	184,5/184,5	26,64	1,81/1,81	50,94	17332
80	164/164	23,68	1,61/1,61	45,28	24678
70	143,5/143,5	20,72	1,41/1,41	39,62	36837
60	123/123	17,76	1,21/1,21	33,96	58495
50	102,5/102,5	14,80	1,01/1,01	28,30	>100000
40	82/82	11,84	0,80/0,80	22,64	>100000
30	61,5/61,5	8,88	0,60/0,60	16,98	>100000
20	41/41	5,92	0,40/0,40	11,32	>100000
10	20,5/20,5	2,96	0,20/0,20	5,66	>100000

Power supply (volts)	460
Phases:	three phases
Frequency (Hz)	60 Hz
Rotation speed (RPM)	1800
Max input power (watt)	Input: T3=320 T4=270 Rating: T3=230 T4=200
Max current (amp)	T3=0,52 T4=0,46
IS/IR	T3=3,33 T4=3,63

### DIMENSIONAL SPECIFICATIONS (mm)

**Vibrator weight: 19,8 kg**

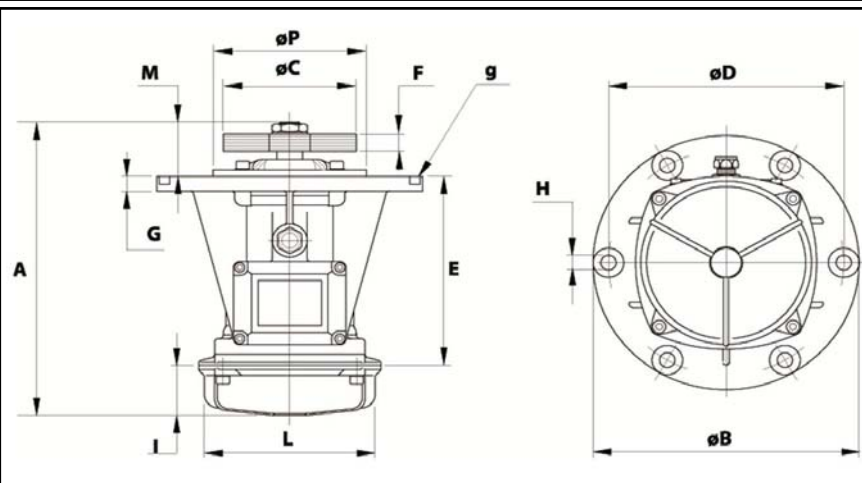
Continual service ambient temperature: -20°C à +40°C - Tropicalization anti-mold - Mechanical protection: IP66 IK08 according to IEC

Bearing type: BALL

Lubrication "FOR LIFE" with double protection screen

Fixing with 4 screws M10 - 7/16" quality 8.8 with tightening torque (kgm - ft/lb): 4.80 - 35

Power supply cable size: 6.5 à 12 mm - Cable entry thread: M20x1,5



A	335,5
B	245
C	130
D	205
H	12
N° TROUS	6
E	124
F	59 (50Hz) 42 (60Hz)
G	12
I	93
L	145
M	118,5
P	162