

VIBRATOR TYPE: MTF 15/550E-S02 260/460 VOLTS THREE PHASES 60 Hz

ACBMV B. CASADIO VIBRATION
 Z.I. Mi-Plaine
 51 Rue Ampère
 B.P. 31
 69682 CHASSIEU CEDEX (FRANCE)
 Tel.: 04 78 90 87 87 / Fax.: 04 78 90 87 88
 Email: vibrateur@orange.fr
 Internet: acbm.com

4 POLES - 1800 RPM ATEX II 2G,D - Classe Ex e II T4/T3 tD A21 IP 66 ZONE 1-2 / 21-22
 REF.: 6E1406C Gas T°=T3-T4 Dust T°=120°C
 SIZE: 20

Certifications:



MECHANICAL AND ELECTRICAL SPECIFICATIONS

Eccentric weight setup (%)	Centrifugal force weight up/down (kg)	Static moment weight	Centrifugal force weight up/down (kN)	Static moment weight up (kgmm)	Estimated bearings life time (hours)
100	295/295	56,6	2,89/2,89	81,5	4224
90	265,5/265,5	50,94	2,60/2,60	73,35	5794
80	236/236	45,28	2,31/2,31	65,20	8250
70	206,5/206,5	39,62	2,02/2,02	57,05	12315
60	177/177	33,96	1,73/1,73	48,90	19556
50	147,5/147,5	28,30	1,45/1,45	40,75	33792
40	118/118	22,64	1,16/1,16	32,60	66000
30	88,5/88,5	16,98	0,87/0,87	24,45	>100000
20	59/59	11,32	0,58/0,58	16,30	>100000
10	29,5/29,5	5,66	0,29/0,29	8,15	>100000

Power supply (volts)	460
Phases:	three phases
Frequency (Hz)	60 Hz
Rotation speed (RPM)	1800
Max input power (watt)	Input: T3=320 T4=270 Rating: T3=230 T4=200
Max current (amp)	T3=0,52 T4=0,46
IS/IR	T3=3,33 T4=3,63

DIMENSIONAL SPECIFICATIONS (mm)

Vibrator weight: 20,6 kg

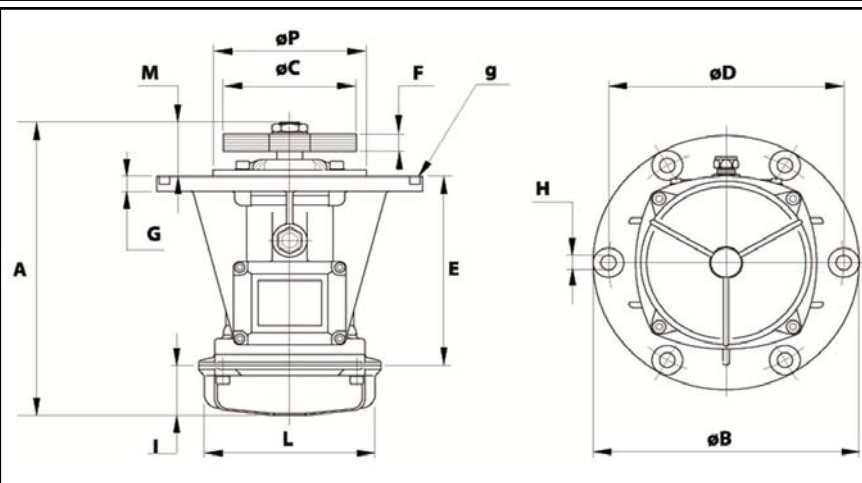
Continual service ambient temperature: -20°C à +40°C - Tropicalization anti-mold - Mechanical protection: IP66 IK08 according to IEC

Bearing type: BALL

Lubrication "FOR LIFE" with double protection screen

Fixing with 6 screws M10 - 7/16" quality 8.8 with tightening torque (kgm - ft/lb): 4.80 - 35

Power supply cable size: 9 à 16 mm - Cable entry thread: M25x1,5



A	376,5
B	245
C	130
D	205
H	12
N° TROUS	6
E	124
F	79 (50Hz) 59 (60Hz)
G	12
I	114
L	145
M	138,5
P	162