

ACBMV B. CASADIO VIBRATION
 Z.I. Mi-Plaine
 51 Rue Ampère
 B.P. 31
 69682 CHASSIEU CEDEX (FRANCE)
 Tel.: 04 78 90 87 87 / Fax.: 04 78 90 87 88
 Email: vibrateur@orange.fr
 Internet: acbm.com

6 POLES - 1000 RPM ATEX II 2G,D - Classe Ex e II T4/T3 tD A21 IP 66 ZONE 1-2 / 21-22
 REF.: 6E2515A Gas T°=T3-- Dust T°=135°C
 SIZE: 80

Certifications:



MECHANICAL AND ELECTRICAL SPECIFICATIONS

Eccentric weight setup (%)	Static moment (kgmm)	Working moment (kgcm)	Centrifugal force (kg)	Centrifugal force (kN)	Estimated bearings life time (hours)
100	4206,00	841,20	2645	25,90	>100000
90	3785,40	757,08	2381	23,31	>100000
80	3364,80	672,96	2116	20,72	>100000
70	2944,20	588,84	1852	18,13	>100000
60	2523,60	504,72	1587	15,54	>100000
50	2103,00	420,60	1323	12,95	>100000
40	1682,40	336,48	1058	10,36	>100000
30	1261,80	252,36	794	7,77	>100000
20	841,20	168,24	529	5,18	>100000
10	420,60	84,12	265	2,59	>100000

Power supply (volts)	400
Phases:	three phases
Frequency (Hz)	50 Hz
Rotation speed (RPM)	750
Max input power (watt)	Input: T3=2500 T4=- Rating: T3=1800 T4=-
Max current (amp)	T3=5,7 T4=-
IS/IR	T3=4 T4=-

DIMENSIONAL SPECIFICATIONS (mm)

Vibrator weight: 204,0 kg

Continual service ambient temperature: -20°C à +40°C - Tropicalization anti-mold - Mechanical protection: IP66 IK08 according to IEC

Bearing type: ROLLER

Lubrication LONG-LIFE with KLUEBER STABURAGS NBU 8EP.

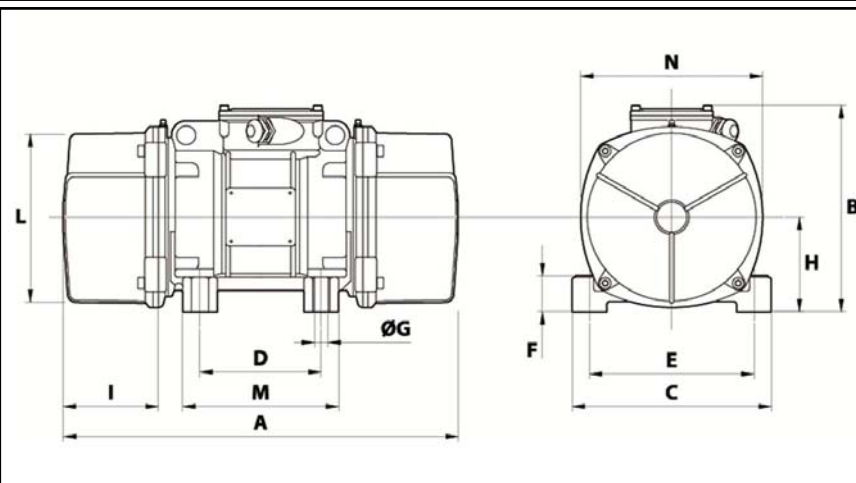
Re lubrication quantity after 1000 hours of using: 40g

Max quantity by replaced bearing: 80g

Fixing with 4 screws M24 - 15/16" quality 8.8 with tightening torque (kgm - ft/lb): 71 - 513

Power supply cable size: 13 à 20 mm - Cable entry thread: M32x1,5

Maintenance space: 233 mm



A	796
B	347
C	340
D	180
E	280
F	80
G	26
N° HOLES	4
H	80
I	233
L	303
M	240
N	320