

## VIBRATOR TYPE: MVS1 075/910E-S08 230/400 VOLTS THREE PHASES 50 Hz

ACBMV B. CASADIO VIBRATION  
 Z.I. Mi-Plaine  
 51 Rue Ampère  
 B.P. 31  
 69682 CHASSIEU CEDEX (FRANCE)  
 Tel.: 04 78 90 87 87 / Fax.: 04 78 90 87 88  
 Email: [vibrateur@orange.fr](mailto:vibrateur@orange.fr)  
 Internet: [acbm.com](http://acbm.com)

6 POLES - 1000 RPM      ATEX II 2G,D - Classe Ex e II T4/T3 tD A21 IP 66 ZONE 1-2 / 21-22  
 REF.: 6E2610A              Gas T°=T3-T4 Dust T°=120°C  
 SIZE: 50

Certifications:



### MECHANICAL AND ELECTRICAL SPECIFICATIONS

Eccentric weight setup (%)	Static moment (kgmm)	Working moment (kgcm)	Centrifugal force (kg)	Centrifugal force (kN)	Estimated bearings life time (hours)
100	1012,00	202,40	637	6,25	>100000
90	910,80	182,16	573	5,63	>100000
80	809,60	161,92	510	5,00	>100000
70	708,40	141,68	446	4,38	>100000
60	607,20	121,44	382	3,75	>100000
50	506,00	101,20	319	3,13	>100000
40	404,80	80,96	255	2,50	>100000
30	303,60	60,72	191	1,88	>100000
20	202,40	40,48	127	1,25	>100000
10	101,20	20,24	64	0,63	>100000

Power supply (volts)	400
Phases:	three phases
Frequency (Hz)	50 Hz
Rotation speed (RPM)	750
Max input power (watt)	Input: T3=600 T4=450 Rating: T3=336 T4=225
Max current (amp)	T3=1,33 T4=1,14
IS/IR	T3=2,14 T4=2,5

### DIMENSIONAL SPECIFICATIONS (mm)

**Vibrator weight: 58,0 kg**

Continual service ambient temperature: -20°C à +40°C - Tropicalization anti-mold - Mechanical protection: IP66 IK08 according to IEC

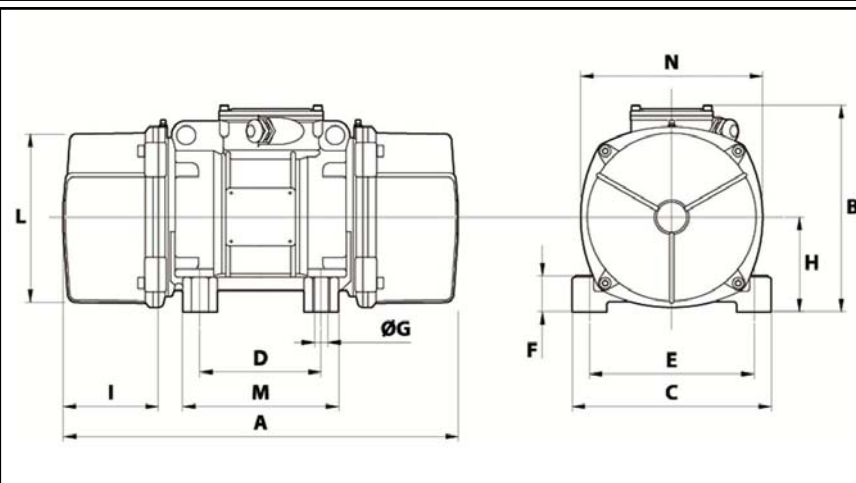
Bearing type: BALL

Lubrication "FOR LIFE" with double protection screen

Fixing with 4 screws M16 - 5/8" quality 8.8 with tightening torque (kgm - ft/lb): 19 - 137

Power supply cable size: 9 à 16 mm - Cable entry thread: M25x1,5

Maintenance space: 171 mm



A	574
B	246
C	230
D	140
E	190
F	54
G	17
N° HOLES	4
H	54
I	171
L	207
M	190
N	225